

# 900 MHz Cordless Telephone with Caller ID

Featuring Clarity® Power™ Technology

## Clarity 420 User Guide



# Table of Contents

<b>Safety Instructions</b> . . . . .	3	Temporary Tone . . . . .	16
<b>Features</b> . . . . .	5	Visual Ringers . . . . .	16
<b>Getting Started</b> . . . . .	8	Flash . . . . .	16
Choosing a Location . . . . .	8	Mute . . . . .	16
Installation . . . . .	8	Redial/Pause . . . . .	16
Battery Installation . . . . .	10	LCD Display Screen . . . . .	17
Handset Battery Charging . . . . .	10	Lighted Key Pad . . . . .	17
Low Battery . . . . .	10	Base Lights. . . . .	17
Battery Life. . . . .	10	Page/Handset Locator. . . . .	17
<b>Headset Jack</b> . . . . .	11	Channel Operation . . . . .	17
<b>Hearing Aid Compatibility</b> . . . . .	11	Security Code . . . . .	17
<b>Quick Reference Guide</b> . . . . .	11	<b>Memory Storage</b> . . . . .	18
<b>Feature Set Up</b> . . . . .	12	Memory Storage Locations . . . . .	18
Handset. . . . .	12	Storing Numbers into Memory . . . . .	18
Set Up Mode . . . . .	12	Dialing From Memory . . . . .	18
Clarity Power Technology . . . . .	14	Editing Numbers in Memory . . . . .	18
Boost Clarity Power On/Off . . . . .	14	Deleting Numbers from Memory. . . . .	18
Volume Control . . . . .	14	<b>Caller ID Operations</b> . . . . .	19
Handset Ringer . . . . .	14	Viewing Call List. . . . .	19
Telephone Base . . . . .	14	Placing a Call from the List . . . . .	20
Boost On/Off . . . . .	14	Deleting Entries . . . . .	20
Pulse/Tone. . . . .	15	Call Waiting . . . . .	20
Ringer Volume . . . . .	15	<b>Care</b> . . . . .	21
Ringer Style . . . . .	15	<b>Troubleshooting</b> . . . . .	21
<b>Telephone Operations</b> . . . . .	16	<b>Regulatory Compliance</b> . . . . .	23
Placing a Call . . . . .	16	<b>Warranty and Service</b> . . . . .	26
Answering a Call . . . . .	16		

# Important Safety Instructions

When using your telephone equipment, basic safety precautions should always be followed to reduce the risk of fire, electric shock and injury to persons including the following:

1. Read and understand all instructions.
2. Follow all warnings and instructions marked on the telephone.
3. Do not use this telephone near a bathtub, wash basin, kitchen sink or laundry tub, in a wet basement, near a swimming pool or anywhere else there is water.
4. Avoid using a telephone (other than a cordless type) during a storm. There may be a remote risk of electrical shock from lightning.
5. Do not use the telephone to report a gas leak in the vicinity of the leak.
6. Unplug this telephone from the wall outlets before cleaning. Do not use liquid cleaners or aerosol cleaners on the telephone. Use a damp cloth for cleaning.
7. Place this telephone on a stable surface. Serious damage and/or injury may result if the telephone falls.
8. Do not cover the slots and openings on this telephone. This telephone should never be placed near or over a radiator or heat register. This telephone should not be placed in a built-in installation unless proper ventilation is provided.
9. Operate this telephone using the electrical voltage as stated on the base unit or in the owner's manual. If you are not sure of the voltage in your home, consult your dealer or local power company.
10. Do not place anything on the power cord. Install the telephone where no one will step or trip on the cord.
11. Do not overload wall outlets or extension cords as this can increase the risk of fire or electrical shock.
12. Never push any objects through the slots in the telephone. They can touch dangerous voltage points or short out parts that could result in a risk of fire or electrical shock. Never spill liquid of any kind on the telephone.
13. To reduce the risk of electrical shock, do not take this phone apart. Opening or removing covers may expose you to dangerous voltages or other risks. Incorrect reassembly can cause electric shock when the appliance is subsequently used.
14. Unplug this product from the wall outlet and refer servicing to the manufacturer under the following conditions:
  - A. When the power supply cord or plug is frayed or damaged.
  - B. If liquid has been spilled into the product.
  - C. If the telephone has been exposed to rain or water.
  - D. If the telephone does not operate normally by following the operating instructions. Adjust only those controls that are covered

**SAVE THESE INSTRUCTIONS**

# Important Safety Instructions

by the operating instructions. Improper adjustment may require extensive work by a qualified technician to restore the telephone to normal operation.

E. If the telephone has been dropped or the case has been damaged.

F. If the telephone exhibits a distinct change in performance.

15. Never install telephone wiring during a lightning storm.

16. Never install telephone jacks in wet locations unless the jack is specifically designed for wet locations.

17. Never touch un-insulated telephone wires or terminals unless the telephone line has been disconnected at the network interface.

18. Use caution when installing or modifying telephone lines.

19. Use only the power cord and batteries indicated in the manual. Do not dispose of batteries in a fire. They may explode. Check with local codes for possible special disposal instructions.

20. Plug the AC adaptor into the outlet that is nearest and most accessible to the telephone.

## Safety Instructions For Batteries

**CAUTION:** Risk of explosion if battery is replaced by an incorrect type. Dispose of used batteries according to the instructions.

1. Use only the approved battery pack in the handset of your cordless phone.

**For Handset Unit: 3.6V 600mAh  
NiMH Rechargeable Battery  
GP60AAA3BMJZ  
GPI International Ltd  
3SN-AAA60H-S-J 1  
Sanik Battery Co., Ltd.**

2. Do not dispose of the battery in a fire as it may explode. Check with local codes for possible special disposal instructions.

3. Do not open or mutilate the battery. Released electrolyte is corrosive and may cause damage to the eyes and skin. It may be toxic if swallowed.

4. Exercise care in handling batteries in order not to short the battery with conducting materials such as rings, bracelets and keys. The battery or conduction material may over-heat and cause burns.

5. Charge the battery (ies) provided with or identified for use with this product only in accordance with the instructions and limitations specified in this manual.

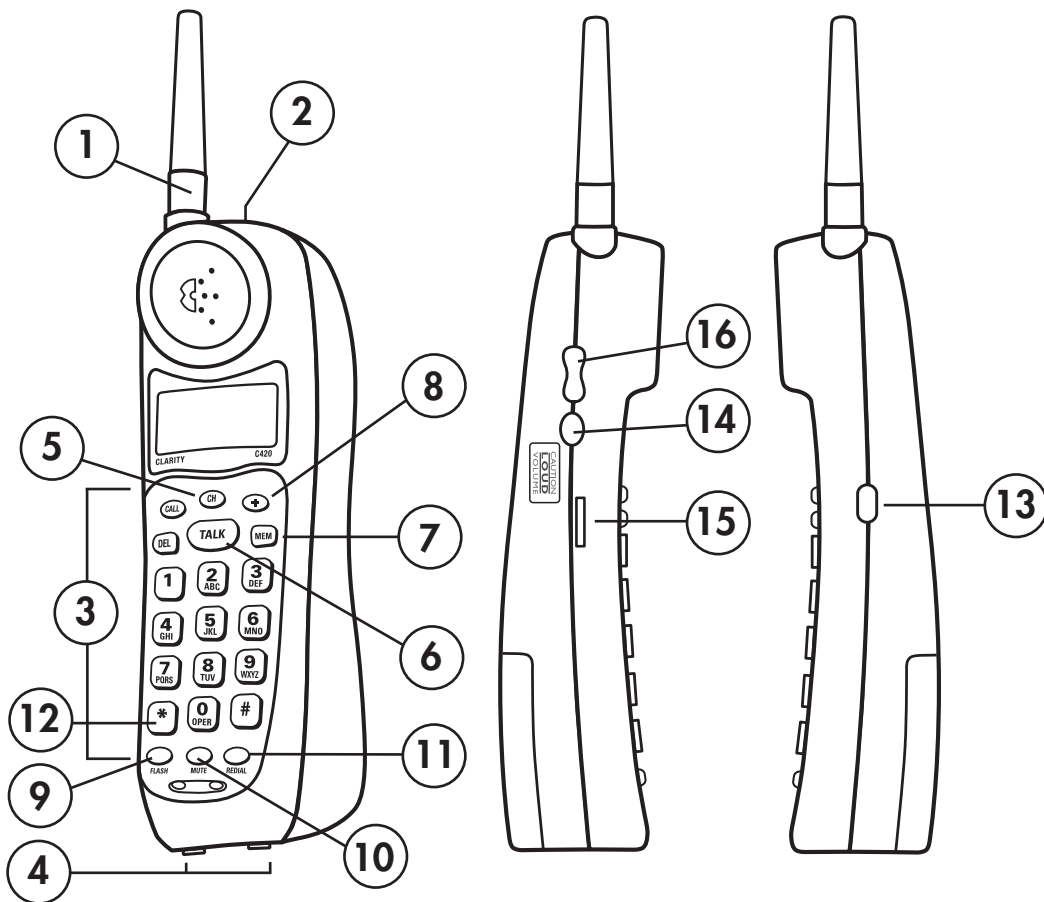
6. Observe proper polarity orientation between the battery pack and the battery charger.

**SAVE THESE INSTRUCTIONS**

# Features

## Handset

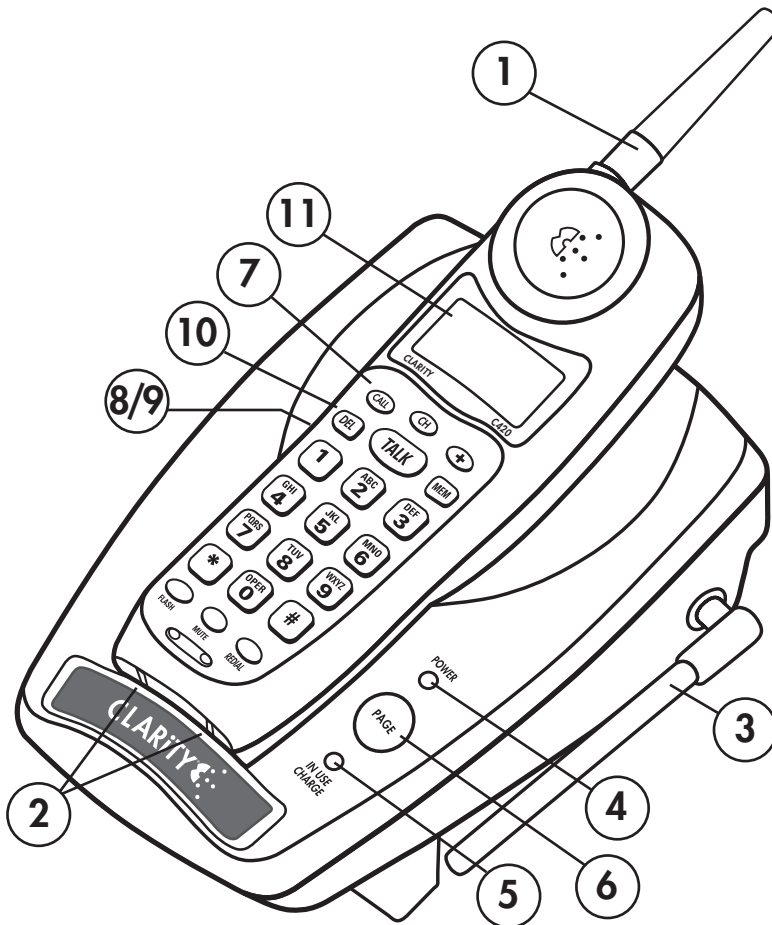
1. Antenna/Visual Ringer/  
New Call Indicator
2. 2.5 mm Headset Jack
3. Key Pad
4. Handset Charging Contacts
5. Channel Button (CH)
6. Talk Button (TALK)
7. Memory Button (MEM)
8. Emergency Memory Storage Button
9. Flash Button (FLASH)
10. Mute Button (MUTE)
11. Redial/Pause Button (RD/P)
12. Temporary Tone Button (\*)
13. Handset Ringer Off/On
14. BOOST Clarity Power
15. Volume Control
16. Up/Down



# Features

## Top of Base/Handset Back

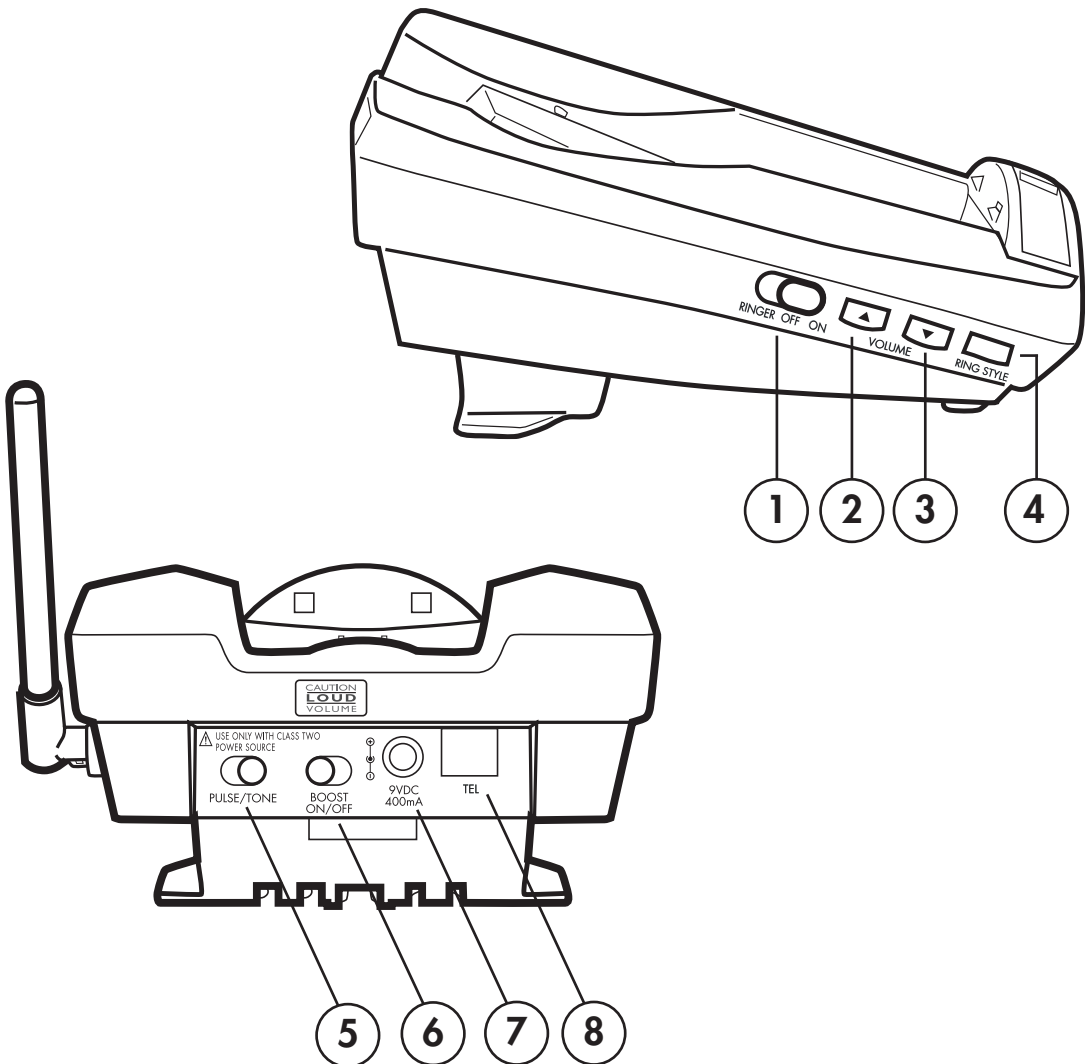
1. Visual Ringer
2. Charging Contacts
3. Base Antenna
4. Power LED (RED)
5. In Use/Charge LED (GREEN/RED)
6. Page
7. Call
8. Scroll Up
9. Scroll Down
10. Delete
11. LCD



# Features

## Base Side and End

1. Ringer Off/On
2. Volume Up
3. Volume Down
4. Ring Style
5. Pulse/Tone
6. BOOST On/Off
7. AC (Electrical) Adapter Jack
8. Telephone Line Jack



# Getting Started

## CHOOSING A LOCATION

1. This phone requires a modular phone jack (RJ11C) and a standard 120V AC wall outlet.
2. Plug the AC Adapter directly into outlet.
3. Do not plug other appliances into the same outlet or have outlet controlled by a wall switch.
4. Choose a location that is out of the way of normal activities.

## CAUTION: USE ONLY WITH CLASS 2 POWER SOURCE 9V DC, 400mA.

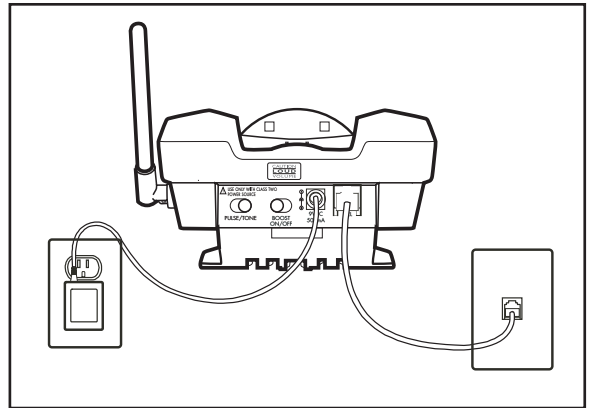
Always connect the AC Adapter to the phone before you connect it to the AC power. When you finish, disconnect the AC power before you disconnect it from the phone.

## INSTALLATION

### Connecting Your Telephone

Carefully remove your cordless telephone from its box. If there is any visible damage, do not attempt to operate this equipment. Return it to the place of purchase.

Check to be sure that you have all items that come with your telephone. You should have a **HANDSET, BASE UNIT, AC ADAPTER, TELEPHONE LINE CORD AND OWNERS MANUAL.** A **BATTERY** is also included and is located in the battery compartment.



**Diagram A:** Table/Desktop Installation

If at any time you have questions about your telephone please contact our Customer Service Department at: 1-800-552-3368 or 423-622-7793.

### Table/Desktop Installation

1. Plug one end of the supplied modular telephone line cord into the jack marked **TEL** located on the back of the telephone base as shown in Diagram A.
2. Plug the modular telephone line cord's other end into a modular phone jack.
3. Insert the supplied AC Adapter's plug into the jack marked **9V DC 400mA** located on the back of the telephone base.
4. Plug the adapter into a standard 120V AC power (electrical) outlet.
5. Lift the base's antenna to a vertical position.



# Getting Started

6. Set the TONE/PULSE switch located on the back of the base to correct dialing mode. Please check with your local Phone Company if uncertain of the type of service.
7. Place handset in the cradle to begin initial charging.

## WALL MOUNTING INSTRUCTIONS

The base unit may be mounted on a standard wall plate.

1. With the back of the unit facing up insert the supplied mounting bracket's tabs into the base's lower tab slots in then direction of **WALL MOUNT** marked on the bracket, then press down on the brackets clips and insert them into the clip slots.
2. Plug one end of the supplied short modular telephone line cord into the **TEL** jack located on the back of the base of the phone.

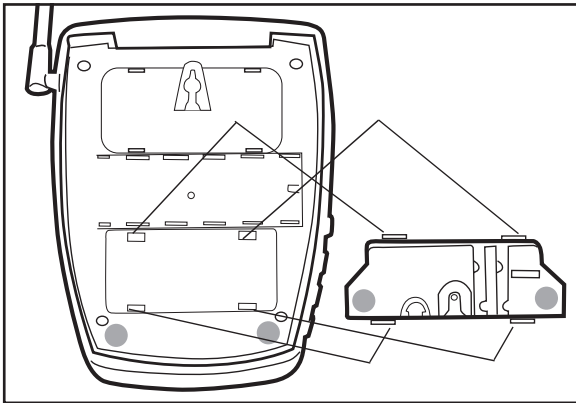


Diagram B: Wall mounting

3. Insert the plug of the AC adapter into the jack marked DC 9V 400mA located on the back of the telephone base.
4. Route the adapter's cord through the narrow groove located on the back of mounting bracket to secure the cord.
5. Plug the short modular telephone line cord into the wall plate jack, then align the mounting bracket's keyhole slots with the wall plate studs and slide the base of the phone downward to secure it on the wall.
6. Plug the adapter into a standard AC power (electrical) outlet.
7. Press and lift out the handset holder tab, turn it around so the narrow tab end extends out and slide back into its slot. This will hold the handset in the cradle when the phone is wall mounted.
8. Lift the base's antenna to a vertical position.
9. Set the Tone/Pulse switch located on the back of the base to correct dialing mode. Please check with your local Phone Company if uncertain of the type of service.
10. Place handset in the cradle to begin initial charging. Remember, you must charge the phone for at least 12 hours before you use the phone for the first time.

**Note: Remember, you must charge the phone for at least 12 hours before you use the phone for the first time.**

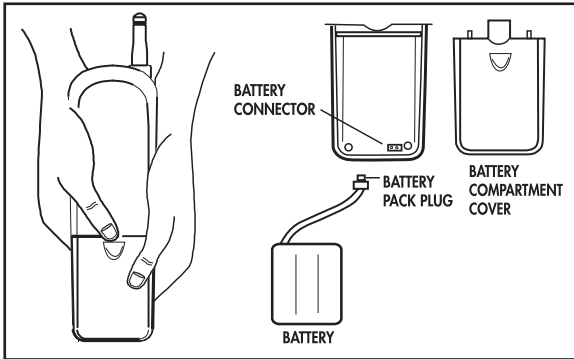
# Getting Started

## BATTERY INSTALLATION

The C420 uses a 3.6Volt 600mAHr NiMH rechargeable 3 cell (AAA Type) battery that is included with your unit.

## HANDSET BATTERY MUST BE CONNECTED BEFORE BEGINNING INITIAL CHARGING.

To connect battery, remove battery compartment cover and connect battery pack plug into the battery connector as shown in Diagram C.



**Diagram C:** Installing and Connecting Battery

**The battery in the handset must be fully charged for 12 hours before using the telephone for the first time.**

### To Install a New Battery:

1. Remove battery cover
2. Install new battery
3. Connect battery pack
4. Replace battery cover
5. Charge for 12 hours before first use

## Handset Battery Charging

1. Place the handset in the base. The **CHARGE LED** on the base will light **RED**.
2. After the batteries are fully charged, check for dial tone by pressing **TALK** on the handset.

## Low Battery

When the handset battery gets low, there will be two (2) beeps every thirty (30) seconds and the **TALK** button will flash. If the battery becomes low while you are on a call, you will be disconnected after about two (2) minutes. Terminate the call and recharge the battery. To recharge the battery pack, place the handset in the base.

The battery charge can also be monitored via the battery charge icon. This icon appears while the phone is in the stand by mode and indicates the condition of the batteries.

1. Make sure the contact points are touching and the **CHARGE LED** is lit.
2. Be careful not to short battery with conducting materials such as rings, bracelets and keys.

## Battery Life

A fully charged battery provides an average talk time of about four (4) hours, or standby time of about (8) days.

Talk time and standby time may vary depending on operating conditions.

# Getting Started

## Headset Jack

You can use this telephone hands-free when you install a 2.5 mm headset (purchased separately). To install, plug the headset into the **HEADSET JACK** at the top of the handset.

While in headset mode, the volume of headset is controlled by the telephone and the handset's earpiece and microphone are disconnected.

Ordering a Headset: In the event you wish to purchase a headset for your Clarity 420, please contact Plantronics at 1-800-544-4660 for location near you. We recommend using the Plantronics M110 or M130 headset.

## Hearing Aid Compatibility

The handset has a special coil inside of it to couple the sound to hearing aids equipped with T-Switches/T-Coils.

## Quick Reference Guide

A pullout quick reference guide is located on the bottom of your C420. It will allow you to quickly reference key operations of your phone and also record the frequently dialed numbers and emergency numbers you may have stored into your telephone.

## HANDSET

### Set Up Mode

**NOTE:** In Set Up, if there is no input within 30 seconds, the program will default to the last selection in that mode (e.g., Language) and the C420 will return to Standby. If at any time you want to exit Set Up and return to Standby, press **FLASH**.

To enter Setup mode press and hold the **CALL** button for three (3) seconds.

### Setting Language

#### Default: English

1. Press and hold **CALL** for three (3) seconds to enter the Set Up mode. The Caller ID display will read, "**SET LANGUAGE.**"
2. Press **CALL** once to enter the Language selection mode. The current selected language will flash.
3. Press **UP (▲)** or **DOWN (▼)** to scroll through the language options. The displayed language will change to "**FRENCH**" or "**SPANISH.**"
4. Press **CALL** to select the language desired.
5. Press **UP (▲)** or **DOWN (▼)** to advance to the next menu.

# Feature Set-up

## Setting the Area Code

1. Press **CALL** to enter the Area Code selection mode. The left most digit in the code sequence will flash. Use the numeric keys on the key pad to enter the desired area code.
2. Press **CALL** to confirm.
3. Press **UP (▲)** or **DOWN (▼)** to advance to the next menu.

## Setting Auto Talk

### Default: ON

With the auto talk feature **ON** the telephone will automatically connect to a call when lifted from the cradle. With the Auto Talk feature **OFF**, you must press the **TALK** button to connect to an incoming call regardless of the location of the handset.

1. Press **CALL** to enter the auto talk selection mode.
2. Press the **UP (▲)** or **DOWN (▼)** to change the mode.
3. Press call to confirm the selection.
4. Press the **UP (▲)** or **DOWN (▼)** to go to the next menu.

## Setting Caller ID On/Off

### Default: ON

1. Press **CALL** to enter the auto talk selection mode.

2. Press the **UP (▲)** or **DOWN (▼)** to change the mode.
3. Press **CALL** to confirm the selection.
4. Press the **UP (▲)** or **DOWN (▼)** to go to the next menu.

If the **CID** mode is set to off, the **LCD** will display time and date and the display will read "**CID IS OFF**".

## Setting Time and Date

Default Time/Date "12:00 AM 01/01"

The time-and-date stamp is automatically updated when the first incoming Caller ID call is received.

If the time setting is lost during a power outage, the clock will flash when power received again.

1. Press **UP** until the display reads, "**TIME/DATE**".
2. Press **CALL** to start changing the date. The display shows the current time and date on the top line, e.g. "12:05AM 12/20" with the month digits flashing.
3. Press **UP (▲)** or **DOWN (▼)** to change the month digits.
4. Press **CALL** once to select. After the month digits are set, the date digits flash.
5. Press **UP (▲)** or **DOWN (▼)** to change the date digits.
6. Press **CALL** once to select. After the date digits are set, the hour digits flash.

# Feature Set-up

7. Press **UP** (▲) or **DOWN** (▼) to change the hour digits.
8. Press **CALL** once to select. After the hour digits are set, the minute digits flash.
9. Press **UP** (▲) or **DOWN** (▼) to change the minute digits.
10. Press **CALL** once to select. After the minute digits are set, **AM/PM** will flash.
11. Press **UP** (▲) or **DOWN** (▼) to for either **AM** or **PM**.
12. Press **CALL** once to select. After **AM** or **PM** is selected, the time/date digits will be blank.
13. Press **CALL** once to display the time/date again or press **UP** (▲) or **DOWN** (▼) to go to the next menu.

## Setting Contrast

### Default: Level 2

1. Press **CALL** once to enter the Contrast Level selection mode. The current selected level flashes.
2. Press **UP** (▲) or **DOWN** (▼) to change the level.
3. Press **CALL** to select level desired.
4. Press **UP** (▲) or **DOWN** (▼) to advance to the next menu.

## Clarity Power Technology

With the Clarity Power feature, the high frequency sounds are amplified more than the low frequency sounds so words are not just louder, but clearer and easier to understand.

### BOOST Clarity Power On/Off

The C420 has a **BOOST CLARITY POWER** button that controls the loudness of the receiver. Once the **BOOST** button is pressed, an extra level of amplification is added over the entire range of the volume control.

The **TALK** button will light **ORANGE** to indicate the **CLARITY POWER** feature is activated.

**WARNING:** When the **TALK** button is lit **ORANGE** volume may be at a high level. To protect hearing, lower the volume control to minimum before using.

## Volume Control

The dial controls the level of volume the handset and headset receive. The volume dial provides up to 15 dB of volume before the **CLARITY POWER** button is activated. Once the **CLARITY POWER** button is pressed, the Clarity 420 will provide up to 30 dB of gain.

## Handset Ringer

Set the switch marked Ringer On/Off located on the side of the handset. The ringer switch must be set to **ON** for the handset to ring.

# Feature Set-up

**NOTE:** If both handset and base ringer's are set to OFF, the visual ringer will flash to indicate there is an incoming call.

## TELEPHONE BASE

### BOOST ON/OFF Switch

This switch will disable the reset feature of the **BOOST** Clarity Power button as follows:

**ON** – When the Boost **ON/OFF** switch is set to “**ON**”, the Boost function will be **ON** every time a call starts, and will default to **ON** every time the phone hangs up. During a call, the **BOOST** Clarity Power button can toggle the Clarity Power **ON** or **OFF** according to the user's needs.

**OFF** – When the Boost **ON/OFF** switch is set to “**OFF**”, the Boost function (Clarity Power) will be **OFF** every time a call starts, and the user will need to press the **BOOST** Clarity Power button in order to gain the extra level of amplification. If the phone hangs up, the Clarity Power will reset to **OFF**. During a call, the **BOOST** Clarity Power button can toggle the Clarity Power function on or off according to the user's needs.

### Pulse/Tone

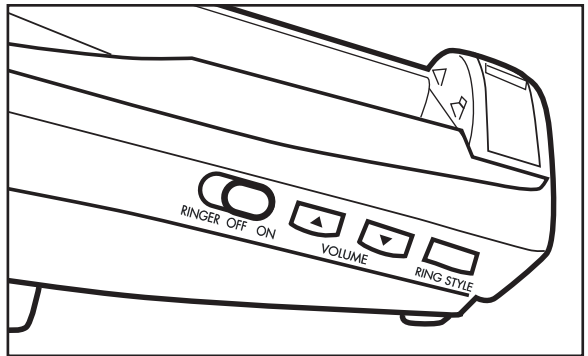
Slide the switch to the type of telephone service you have; tone for touch-tone service or pulse for rotary dialing.

### Ringer Volume

Adjust the volume of ring by pressing the **VOLUME UP** or **DOWN** switch until the desired ring volume is achieved. There are six (6) levels of volume available.

### Ringer Style

The style of ring or cadence can also be adjusted by pressing the **RING STYLE** button. Six (6) styles are available allowing you to customize your ring. The ringer will sound for 2 seconds while choosing a ringer style, to allow the user to make a choice.



**Diagram D:** Telephone Base

**NOTE:** If both handset and base ringer's are set to OFF, the visual ringer will flash to indicate there is an incoming call.

### Placing a Call

1. Press the **TALK** button (TALK button will illuminate **GREEN**) and dial the number you wish to call.
2. To end the call press the **TALK** button or place the handset in the base.

### Answering a Call

1. Remove handset from base. You will automatically be connected.  
OR
2. Press the **TALK** button.

# Feature Set-up

Refer to **BOOST** Clarity Power and Volume Control for information on adjusting volume controls (Page 14).

## Temporary Tone

If you have rotary (pulse) dial service, you can change from pulse to touch tone (tone) during a call.

1. Make phone call and wait until it is connected.
2. Press the \* key. Keys pressed after this are sent as tone signals.
3. The phone will automatically reset to rotary (pulse) service after the call ends.

## Visual Ringers

Visual ringers are located in both the handset antenna and the base of the telephone. When an incoming call is received, these lights will flash. The handset visual ringer will also stay lit while the phone is in use.

## Flash

The **FLASH** button is activated to use custom calling services such as Call Waiting or Three Way Calling. Please contact your local telephone company for information on these services.

## Mute

The **MUTE** button allows the user to conduct a private conversation that you do not want the person on the other end to hear. While in the mute mode, the **MUTE** button will illuminate **RED** and the microphone

in the handset is disabled. Pressing the **MUTE** button again will disengage the **MUTE** feature.

## Redial/Pause

The **RD/P** button operates both the last number redial and the pause feature.

### Last Number Redial:

The last number dialed (up to 32 digits) is stored in the redial memory until another number is dialed.

### To use this feature:

1. Press the **TALK** button.
2. When you hear the dial tone, press the **RD/P** button.
3. The phone will automatically dial for you.

### Pause Feature:

Programming in a pause will cause the phone to wait four (4) seconds before dialing additional numbers. This feature may be used when it is necessary to dial an access code (9, for example) and wait for a second dial tone before you can dial an outside number. Press the **RD/P** button at the required point during the memory storage process to program a pause.

## LCD Display Screen

The **LCD** located on the front of the phone will display the number you are dialing and with Caller ID service displays information about

# Telephone Operations

the call before you answer. The display also functions as call timer when the handset is off hook or on a call.

## Lighted Key Pad

The key pad will light for fifteen (15) seconds after removing the handset from the base. To reactivate the feature while in standby, press the **TALK** or the **MEM** button. To activate while the phone is in use, press any key.

## Base Lights

**POWER ON** – Base power is on.

**IN USE/ CHARGING ON** – When handset is in the base charging, the **LED** will shine **RED** when the handset is on a call the LED will shine **GREEN**.

## Page/Handset Locator

To send a page signal from the base to the handset, press the **PAGE** button located on the base of the telephone. A series of rings will sound from the handset.

To locate the handset if it is away from the base, press and hold the **PAGE** button for approximately five (5) seconds. A series of rings will sound. Return the handset to the base or press the **TALK** button to cancel the page.

## Channel Operation

The Clarity 420 cordless telephone automatically searches and selects the clearest of 40 channels when it is being used. If interference develops on the line, pressing this button will move to another channel.

## Security Code

The security code prevents your cordless phone conversations from being accessed by a phone on a different line. Once the handset battery is fully charged, the handset will automatically select the code from over 65,000 different combinations. The code is changed every time the handset is placed in the cradle.

If you have trouble with placing or receiving calls, a lost security code may be the cause of the problem. When this occurs, the handset can no longer communicate with the base. Reset by placing the handset on the base for 5-10 seconds. If that does not work, unplug the AC adapter from the wall outlet. Disconnect the handset battery for 5-10 seconds, and then reconnect. Place hand-set back on the base and then reinsert the AC adapter.



# Memory Storage

## Memory Storage Locations

The C420 has ten (10) indirect or two touch memory locations on the telephone (0-9) that can be programmed to dial frequently called numbers of up to 16 digits.

One (1) Emergency Storage button is located on the handset. These storage buttons can be programmed with numbers of up to 16 digits.

## Storing Numbers into Memory:

1. Press the **MEM** button.
2. Dial the number you wish to store.
3. Press the **MEM** button again.
4. Press either the emergency button or the number on the key pad that you wish to store the number to.
5. A long beep will indicate the programming process is complete.

## Dialing from Memory:

1. Press the **TALK** button.
2. Press the **MEM** button.
3. Press the number on the key pad where the desired number has been stored.
4. The call will automatically dial.

## To Dial From Emergency Storage Location:

1. Press the **TALK** button.
2. Press the desired emergency button.
3. The call will automatically dial.

## Editing Numbers Stored in Memory:

Replace a stored number by programming a new number in its place.

## Deleting Numbers from Memory:

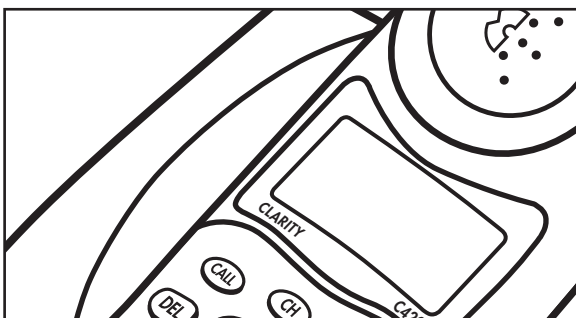
1. Press and hold the **MEM** button for (3) three seconds .
2. Enter the location number (0-9) or press the emergency button and review the number.
3. Press the **DEL** button to erase the memory. **ERASE MEMO** and the location number will be displayed.
4. Press **DEL** again to confirm.
5. A long beep will indicate the process is complete.

**NOTE:** During the memory storage process the **TALK** button will flash **GREEN**.

# Caller ID Storage

**IMPORTANT:** You must subscribe to Caller ID Service from your local telephone company to utilize this feature.

This telephone will automatically display an incoming caller's name and telephone along with the date and time of the call. It will record up to fifty (50) calls and store the data into memory.



**Diagram E:** Caller ID Screen

## Functions:

**CALL:** Pressing this button will dial the number displayed and functions as select and save in the set up menu.

**SCROLL UP/DOWN:** (▲) (▼) Allows for a scrolling review either up or down through the CID list and set up menu.

**DELETE:** Pressing delete will remove the entry displayed.

The LED in the handset antenna will illuminate **RED** to indicate a new call has been received.

## Stand By

In the stand by mode the LCD will display the following information:

- Date/Time
- Battery Status
- Number of received  
Example: CALLS ALL =20
- Number of new received calls.  
Example: 10 New
- Repeat Icon: **RPT** indicates CID calls that are repeated.

## Viewing Call List

When an incoming call is received, the screen will display, the name, number, date and time of call if available.

## Blocked Number

**NUM BLOCKED** will appear if the name and/or number of the caller are blocked.

## Unknown Number

**NO NUMBER** will appear if the name and/or number of the incoming call are not available.

If the telephone number on the Caller ID display is longer than 12 digits the display will toggle between the first half of the number and the second half automatically.

# Caller ID Operations

The **REPEAT** call icon will light if the C420 receives more than one call from the same number.

There will be message to indicate end of **CID** list.

## Placing a call from Caller ID List

1. From stand by use the **UP/ DOWN** arrows to scroll through Call List
2. Select the desired number by pressing **CALL**. Selected number will flash. Use the Up and Down Scroll to view available dialing options (7 digits, 10 digits or 11 digits).
3. Press **CALL** to select the desired call format (see below). The number will stop flashing.
4. Press **CALL** to dial.

When you place calls using Caller ID information, you have three (3) dialing options to select from:

1. 7 digit number (123-4567)
2. 7 digit number plus area code (890-123-4567)
3. 1 plus area code plus 7 digit number (1-890-123-4567)

## Deleting Calls from Call list

1. While reviewing the Caller ID, press **DEL** to delete the displayed caller information. The display flashes "**ERASE?**"

2. Press **DEL** to select. The display briefly reads, "**CID ERASED.**" The next Caller ID entry appears automatically or the display reads, "**- NO CALLS -**" if the list is empty.

Phone numbers cannot be deleted while it is in the flashing mode.

## Deleting All Caller ID Information

1. While reviewing the Caller ID, hold down **DEL** for three (3) seconds. The display flashes "**ERASE ALL?**"
2. Press **DEL** to select. The display briefly reads "**ALL CID**" and "**ERASED**" and then "**- NO CALLS -**".

At any time, you can press **FLASH** one time to return to standby mode. Or it will return to standby automatically when 30 seconds has elapsed without any keys being pressed.

## Call Waiting

When you are on an existing call, you will hear a beep. The **LCD** will display the incoming calls caller ID information. To answer the waiting call, press **FLASH**. The original call will be placed on hold and you will be connected with the waiting call. To return to the original call, press **FLASH**.

If you do not access the waiting call, the caller ID information is transferred into the call list as a viewed call.

# Care

The C420 has been designed to give you years of dependable service with a minimum of care.

To ensure the utmost in performance, follow these guidelines in caring for the unit:

1. Avoid dropping or knocking the unit.
2. Dust the unit regularly. Wipe the

unit with a soft damp cloth. Do not use detergents and avoid excess moisture.

3. The C420 is an electrical device. Avoid electric shock by keeping the phone away from water (i.e. bath room, kitchen sink, etc.)

# Troubleshooting

## The unit will not operate/no dial tone:

- Verify the TALK Button is lit.
- Verify the AC Adapter is securely plugged into the base and the telephone.
- Verify the telephone line cord is securely plugged into the wall jack and the telephone.
- Make sure the base antenna is in an upright position.
- Make sure the handset battery is fully charged.
- Verify the telephone is in the correct dialing mode, tone (touch) or pulse (rotary).
- Make sure you are in the usable range of the base station.
- Reset the security code by placing the handset in the base for 5-10 seconds.

## The phone does not ring when you receive a call:

- Make sure the RINGER switch on the handset and base are set to ON.
- Verify the AC Adapter is securely plugged into the base and the telephone.
- Verify the telephone line cord is securely plugged into the wall jack and the telephone.
- Make sure you are in the usable range of the base station.
- You may have too many extensions on your line. Try unplugging a few devices.

# Troubleshooting

## Noise, Static, Interference or Other Calls Heard while Using the Handset:

- Try changing channels.
- Make sure the base antenna is in an upright position.
- Make sure you are in the usable range of the base station.
- Make sure the handset battery is fully charged.
- Try relocating the base unit to another location.
- Make sure the AC Adapter is not plugged into the wall outlet with other appliances.
- Try relocating the base unit to another location.

## Phone Will Not Hold Charge:

- Make sure the charging contacts on the handset and base are free of dust and dirt. Clean the contacts with a soft cloth.
- Make sure CHARGE LED on the base is lit when handset is in the cradle.
- If necessary, replace the handset battery. (See Handset Battery Charging)

## Difficulty in Placing or Receiving Calls:

- Move closer to the base and try again.
- If moving closer does not work, you may have lost the security code.
- Reset code by placing the handset back on the base for 5-10 seconds. (See Security Code Section)
- Make sure you have selected the correct dialing mode, tone or pulse.
- Make sure the AC Adapter is not plugged into a wall outlet with other appliances. Disconnect for 5-10 seconds then reconnect. Place the handset back on the base and reinsert the AC Adapter.
- Make sure the handset battery is fully charged.

# Regulatory Compliance

## Part 68 of FCC Rules Information

- a) This equipment complies with Part 68 of the FCC rules and the requirements adopted by the ACTA. On the bottom of this equipment is a label that contains, among other information, a product identifier in the format US:AAAEQ##TXXXX. If requested, this number must be provided to the telephone company.
- b) A plug and jack used to connect this equipment to the premises wiring and telephone network must comply with the applicable FCC Part 68 rules and requirements adopted by the ACTA. A compliant telephone cord and modular plug, RJ11C USOC, is provided with this product. It is designed to be connected to a compatible modular jack that is also compliant. See installation instructions for details.
- c) The REN is used to determine the number of devices that may be connected to a telephone line. Excessive RENs on a telephone line may result in the devices not ringing in response to an incoming call. In most but not all areas, the sum of RENs should not exceed five (5.0). To be certain of the number of devices that may be connected to a line, as determined by the total RENs, contact the local telephone company. For products approved after July 23, 2001, the REN for this product is part of the product identifier that has the format US:AAAEQ##TXXXX.

The digits represented by ## are the REN without a decimal point (e.g., 03 is a REN of 0.3). For earlier products, the REN is separately shown on the label.

- d) If this telephone equipment causes harm to the telephone network, the telephone company will notify you in advance that temporary discontinuance of service may be required. But if advance notice isn't practical, the telephone company will notify the customer as soon as possible. Also, you will be advised of your right to file a complaint with the FCC if you believe it is necessary.
- e) The telephone company may make changes in its facilities, equipment, operations or procedures that could affect the operation of the equipment. If this happens the telephone company will provide advance notice in order for you to make necessary modifications to maintain uninterrupted service.
- f) If trouble is experienced with this telephone equipment, for repair or warranty information, please contact Clarity, 1-800-552-3368. If the equipment is causing harm to the telephone network, the telephone company may request that you disconnect the equipment until the problem is resolved.
- g) This telephone equipment is not intended to be repaired and it contains no repairable parts. Opening the equipment or any attempt to perform repairs will void the warranty. For service or repairs, call 1-800-552-3368.

# Regulatory Compliance

h) Connection to party line service is subject to state tariffs. Contact the state public utility commission, public service commission or corporation commission for information.

i) If your home has specially wired alarm equipment connected to the telephone line, ensure the installation of this telephone equipment does not disable your alarm equipment. If you have questions about what will disable alarm equipment, consult your telephone company or a qualified installer.

j) This telephone equipment is hearing aid compatible.

## Customer-Owned Coin/Credit Card Phones:

To comply with state tariffs, the telephone company must be given notification prior to connection. In some states, the state public utility commission, public service commission or corporation commission must give prior approval of connection.

## Part 15 of FCC Rules Information

This device complies with Part 15 of the FCC Rules. Operation is subject to the following two conditions: (1) This device may not cause harmful interference, and (2) this device must accept any interference received, including interference that may cause undesired operation.

Your equipment has been tested and found to comply with the limits of a Class B digital device, pursuant to Part 15 of FCC rules.

These limits are designed to provide reasonable protection against harmful interference in residential installation.

This equipment generates, uses and can radiate radio frequency energy and, if not installed and used in accordance with the instructions, may cause harmful interference to radio communications. However, there is no guarantee that interference will not occur in a particular installation; if this equipment does cause harmful interference to radio

or television reception, which can be determined by turning the equipment off and on, you are encouraged to try to correct the interference by one of the following measures:

1. Where it can be done safely, reorient the receiving television or radio antenna.
2. To the extent possible, relocate the television, radio or other receiver with respect to the telephone equipment. (This increases the separation between the telephone equipment and the receiver.)
3. Connect the telephone equipment into an outlet on a circuit different from that to which the television, radio, or other receiver is connected.
4. Consult the dealer or an experienced Radio/TV Technician for help.

**CAUTION:** Changes or modifications not expressly approved by the manufacturer responsible for compliance could void the user's authority to operate the equipment.

# Regulatory Compliance

## Industry Canada Technical Specifications

### **This product meets the applicable Industry Canada technical specifications.**

Before installing this equipment, users should ensure that it is permissible to be connected to the facilities of the local telecommunications company. The equipment must also be installed using an acceptable method of connection. In some cases, the company's inside wiring associated with a single line individual service may be extended by means of a certified connector assembly (telephone extension cord). The customer should be aware that compliance with the above conditions may not prevent degradation of service in some situations. Repairs to certified equipment should be made by an authorized Canadian maintenance facility designated by the supplier.

Any repairs or alterations made by the user to this equipment, or equipment malfunctions, may give the telecommunications company cause to request the user to disconnect the equipment.

Users should ensure for their own protection that the electrical ground connections of the power utility, telephone lines and internal metallic water pipe system, if present, are connected together. This precaution may be particularly important in rural areas.

**CAUTION:** Users should not attempt to make such connections themselves, but should contact the appropriate electrical inspection authority, or electrician, as appropriate.

The Ringer Equivalence Number is an indication of the maximum number of terminals allowed to be connected to a telephone interface. The termination on an interface may consist of any combination of devices subject only to the requirement that the sum of the Ringer Equivalence Numbers of all the devices does not exceed five.

(The term "IC:" before the certification/registration number only signifies that the Industry Canada technical specifications were met.)

### **The party responsible for regulatory compliance:**

Clarity, A Division of Plantronics, Inc.  
4289 Bonny Oaks Drive, Suite 106  
Chattanooga, TN 37406  
Phone: 1-800-552-3368

The following warranty and service information applies only to products purchased and used in the U.S. and Canada. For warranty information in other countries, please contact your local retailer or distributor.



# Warranty and Service

## Limited Warranty

Clarity, a division of Plantronics, Inc. (“Clarity”) warrants to the original consumer purchaser that, except for limitations and exclusions set forth below, this product shall be free from defects in materials and workmanship for a period of one (1) year from the date of original purchase (“Warranty Period”). The obligation of Clarity under this warranty shall be at Clarity’s option, without charge, of any part or unit that proves to be defective in material or workmanship during the Warranty Period.

## Exclusions from Warranty

This warranty applies only to defects in factory materials and factory workmanship.

Any condition caused by accident, abuse, misuse or improper operation, violation of instructions furnished by Clarity, destruction or alteration, improper electrical voltages or currents, or repair or maintenance attempted by anyone other than Clarity or an authorized service center, is not a defect covered by this warranty. Telephone companies manufacture different types of equipment and Clarity does not warrant that its equipment is compatible with the equipment of a particular phone company.

## Implied Warranties

Under state law, you may be entitled to the benefit of certain implied warranties. These implied warranties will continue in force only during the warranty period. Some states do allow limitations on how long an implied warranty lasts, so the above limitation may not apply to you.

## Incidental or Consequential Damages

Neither Clarity nor your retail dealer or selling distributors has any responsibility for any incidental or consequential damages including without limitation, commercial loss or profit, or for any incidental expenses, expenses, loss of time, or inconvenience. Some states do not allow exclusion or limitation of incidental or consequential damage, so the above limitation or exclusion may not apply to you.

## Other Legal Rights

This warranty gives you specific legal rights and you may also have other rights which vary from state to state.

# Warranty and Service

## How to Obtain Warranty Service

To obtain warranty service, please prepay shipment and return the unit to the appropriate facility listed below.

### In the United States

Clarity Service Center  
4289 Bonny Oaks Drive, Suite 106  
Chattanooga, Tennessee 37406

Tel: (423) 622-7793  
or (800) 426-3738  
Fax: (423) 622-7646  
or (800) 325-8871

### In Canada

Plantronics Service Center  
8112 Trans Canada Highway  
Ville St-Laurent, Quebec H4S 1M5  
Canada

Tel: (800) 540-8363  
(514) 956-8363  
Fax: (514) 956-1825

Please use the original container, or pack the unit(s) in a sturdy carton with sufficient packing material to prevent damage.

### Include the following information:

1. A proof-of-purchase indicating model number and date of purchase.
2. Bill-to address.
3. Ship-to address.
4. Number and description of units shipped.
5. Name and telephone number of person to call, should contact be necessary.
6. Reason for return and description of the problem.

Damage occurring during shipment is deemed the responsibility of the carrier, and claims should be made directly with the carrier.

# Teléfono inalámbrico de 900 MHz con Tecnología Clarity® Power™

## Clarity C420 Guía de usuario



# Índice

<b>Instrucciones de seguridad</b> . . . . .	29	Tono temporal . . . . .	43
<b>Funciones</b> . . . . .	32	Destello . . . . .	43
<b>Preparación.</b> . . . . .	35	Silencio (Mute) . . . . .	43
Seleccionando la ubicación . . . . .	35	Remarcar/Pausa. . . . .	43
Instalación . . . . .	35	Teclado iluminado . . . . .	44
Instalación de la batería . . . . .	37	Pantalla LCD . . . . .	44
Cargando la batería del auricular . . . . .	37	Indicadores luminosos de la base. . . . .	44
Batería con poca carga . . . . .	37	Operación en canales. . . . .	45
Vida útil de la batería. . . . .	37	Código de seguridad . . . . .	45
<b>Enchufe para audífonos</b> . . . . .	37	<b>Almacenamiento en Memoria</b> . . . . .	46
<b>Compatibilidad con aparatos de ayuda auditiva</b> . . . . .	38	Almacenamiento en memoria. . . . .	46
<b>Guía de referencia rápida</b> . . . . .	38	Ubicación de almacenamiento en memorias . . . . .	46
<b>Configuración de las funciones</b> . . . . .	38	Almacenando números en la memoria. . . . .	46
<b>Auricular</b> . . . . .	38	Marcando números almacenados en la memoria . . . . .	46
Modo de configuración . . . . .	38	Borrando números de la memoria. . . . .	46
Tecnología Clarity Power . . . . .	40	Cambiando números almacenados en la memoria . . . . .	47
Aumento de Potencia Clarity (BOOST) . . . . .	41	<b>Identificador de llamada</b> . . . . .	48
Control de Volumen . . . . .	41	Viendo la lista de llamadas . . . . .	48
Timbre del auricular . . . . .	41	Haciendo una llamada desde la lista. . . . .	49
Timbre visual . . . . .	41	Borrando entradas . . . . .	49
<b>Telephono Base</b> . . . . .	41	<b>Mantenimiento y cuidado</b> . . . . .	50
Activar/Desactivar BOOST . . . . .	41	<b>Detectando problemas</b> . . . . .	51
Modo de discado . . . . .	42	<b>Cumplimiento con los reglamentos</b> . . . . .	53
Volumen de timbre . . . . .	42	<b>Garantía y servicio</b> . . . . .	57
Estilo de timbre . . . . .	42		
<b>Operación del teléfono</b> . . . . .	43		
Haciendo una llamada . . . . .	43		
Recibiendo una llamada . . . . .	43		

# Instrucciones Importantes de Seguridad

Cuando utilice su equipo de teléfono, se deben seguir siempre las siguientes precauciones de seguridad básicas para reducir el riesgo de incendio, choque eléctrico y lesiones a personas incluyendo lo siguiente:

1. Leer y comprender todas las instrucciones.
2. Seguir todas las advertencias e instrucciones marcadas sobre el teléfono.
3. No use este teléfono cerca de una tina de baño, lavabo, lava trastes de cocina o tina de lavado, en un sótano húmedo, cerca de una alberca o en cualquier otro lugar en el que haya agua.
4. Evite usar un teléfono (que no sea del tipo inalámbrico) durante una tormenta. Puede haber un riesgo remoto de choque eléctrico por los relámpagos.
5. No use el teléfono para reportar una fuga de gas cerca de la fuga.
6. Desconecte este teléfono de los enchufes de la pared antes de limpiarlo. No use limpiadores líquidos o limpiadores en aerosol sobre el teléfono. Utilice un trapo húmedo para limpiarlo.
7. Coloque este teléfono sobre una superficie estable. Un daño serio y/o lesión pueden ocurrir si el teléfono se cae.
8. No cubra las ranuras y aberturas sobre este teléfono. Este teléfono nunca debe ser

colocado cerca o sobre un radiador o registro de calor. Este teléfono nunca debe colocarse en una instalación ínter-construida a menos que se provea ventilación apropiada.

9. Opere este teléfono usando el voltaje eléctrico como se establece en la unidad de base o en el manual del usuario. Si no está seguro del voltaje de su hogar, consulte al distribuidor del producto o a su compañía eléctrica local.
10. No coloque nada sobre el cable de corriente. Instale el teléfono donde nadie pise o se tropiece con el cable.
11. No sobrecargue los enchufes de pared o extensiones eléctricas ya que esto puede aumentar el riesgo de incendio o choque eléctrico.
12. Nunca empuje ningún objeto a través de las ranuras en el teléfono. Pueden tocar puntos de voltaje peligrosos o cortocircuitar partes que pudieran resultar en un riesgo de incendio o choque eléctrico. Nunca derrame líquidos de ningún tipo sobre el teléfono.
13. Para reducir el riesgo de choque eléctrico, no desbarate el teléfono. El abrir o quitar las cubiertas puede exponerle a voltajes peligrosos u otros riesgos. El reensamblado erróneo puede causar choque eléctrico cuando el aparato es usado después.

**SAVE THESE INSTRUCTIONS**

# Instrucciones Importantes de Seguridad

14. Desconecte este producto del enchufe de la pared y remita el servicio al fabricante bajo las siguientes condiciones:

- A. Cuando el cable eléctrico o el enchufe estén raídos o dañados.
- B. Si se ha derramado líquido en el producto.
- C. Si el teléfono ha estado expuesto a lluvia o agua.
- D. Si el teléfono no funciona normalmente siguiendo las instrucciones de operación. Ajuste solo aquellos controles que están cubiertos en las instrucciones de operación: El ajuste inapropiado puede requerir trabajo extensivo por un técnico calificado para restaurar el teléfono a su operación normal.
- E. Si el teléfono se ha caído o la caja ha sido dañada.
- F. Si el teléfono muestra un cambio notable en el desempeño.

15. Nunca instale el alambrado del teléfono durante una tormenta eléctrica.

16. Nunca instale los conectores del teléfono en ubicaciones húmedas a menos que el conector esté diseñado específicamente para ubicaciones húmedas.

17. Nunca toque los alambres o terminales del teléfono sin aislar a menos de que la línea del teléfono haya sido desconectada en la interfaz de la red de trabajo.

18. Sea cuidadoso cuando instale o modifique las líneas telefónicas.

19. Use solamente el cable de corriente y las baterías indicadas en el manual. No deseche las baterías en el fuego. Podrían explotar. Verifique los códigos locales para posibles instrucciones especiales de desecho.

20. Conecte el adaptador AC en el enchufe que esté más cercano y más accesible al teléfono.

**GUARDE ESTAS INSTRUCCIONES**

# Guarde Estas Instrucciones

**Precaución:** Riesgo de explosión si la batería es reemplazada con el tipo incorrecto. Deshágase de las baterías usadas de acuerdo con las instrucciones.

1. Use solamente el paquete aprobado de baterías en el auricular de su teléfono inalámbrico.

**Para la Unidad de Auricular:**

**3.6V 600mAHr**

**Batería Recargable NiMH**

**GP60AAAH3BMJZ**

**GPI International Ltd**

**3SN-AAA60H-S-J 1**

**Sanik Battery Co., Ltd.**

2. No deseche la batería en el fuego ya que podría explotar. Verifique los códigos locales para posibles instrucciones especiales de desecho.

3. No abra ni mutile la batería. El electrolito liberado es corrosivo y pudiera causar daños

a los ojos y la piel. Puede ser tóxico si se ingiere.

4. Tenga cuidado al manejar las baterías para no cortocircuitar la batería con materiales conductores tales como anillos, pulseras y llaves. La batería o material de conducción podrían sobrecalentarse y causar quemaduras.

5. Cargue la(s) batería(s) provistas con o identificadas para usarse con este producto solamente de acuerdo con las instrucciones y limitaciones especificadas en este manual.

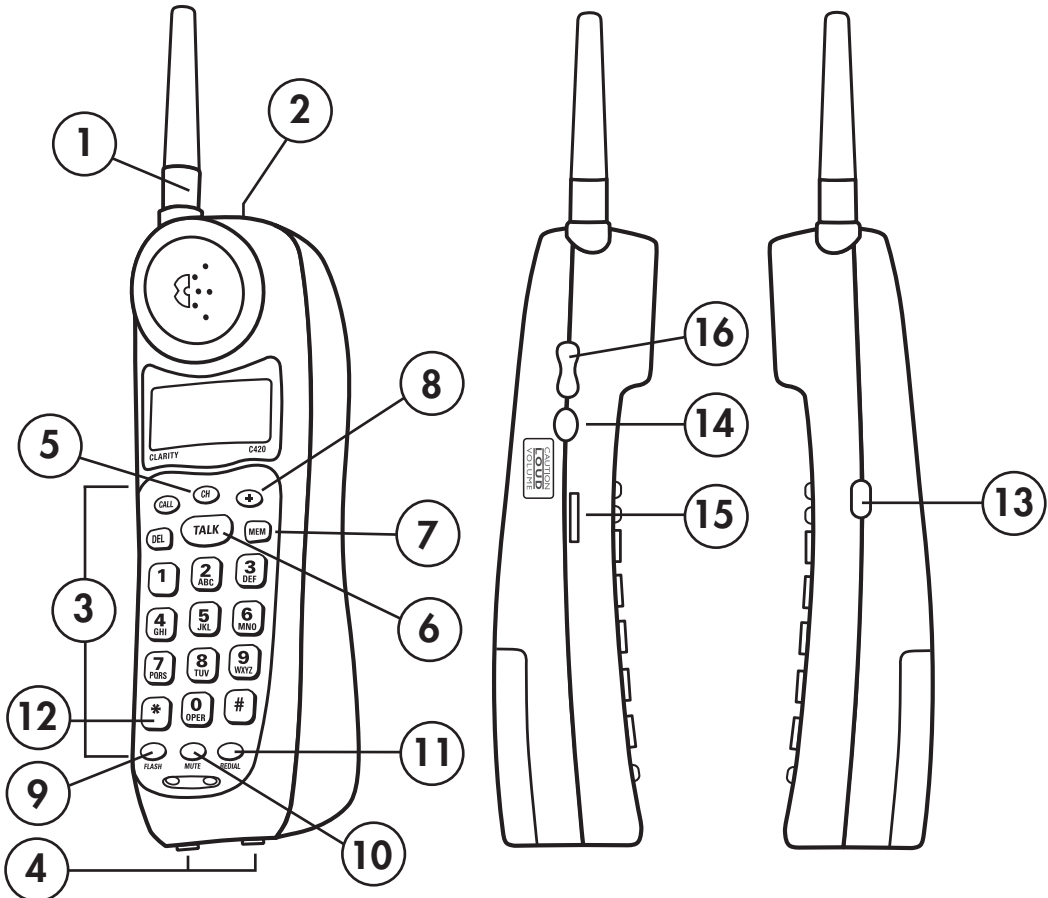
6. Observe la orientación apropiada de la polaridad entre el paquete de baterías y el cargador de baterías.

**GUARDE ESTAS INSTRUCCIONES**

# Funciones

## Auricular Frente

1. Antena/Timbrador visual del auricular/Indicador de nueva llamada
2. Enchufe de 2.5 mm para audífonos
3. Teclado
4. Contactos de carga del Auricular
5. Botón Canal (CH)
6. Botón Hablar (TALK)
7. Botón Memoria (MEM)
8. Botón de memoria para números de emergencia
9. Botón Destello (FLASH)
10. Botón Silencio (MUTE)
11. Botón Remarcar/Pausa (RD/P)
12. Botón Tono temporal (\*)
13. Encendido/Apagado del Timbrador del auricular
14. Aumento de potencia Clarity (BOOST)
15. Control de volumen
16. Arriba/Abajo

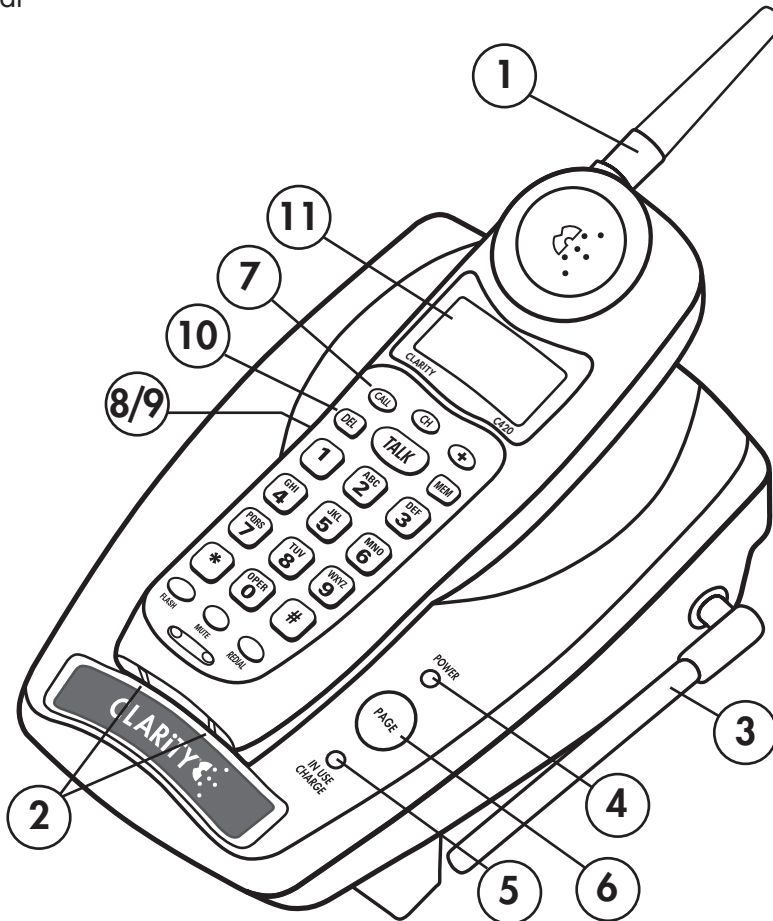




# Funciones

## Parte superior de la Base/Parte posterior del auricular

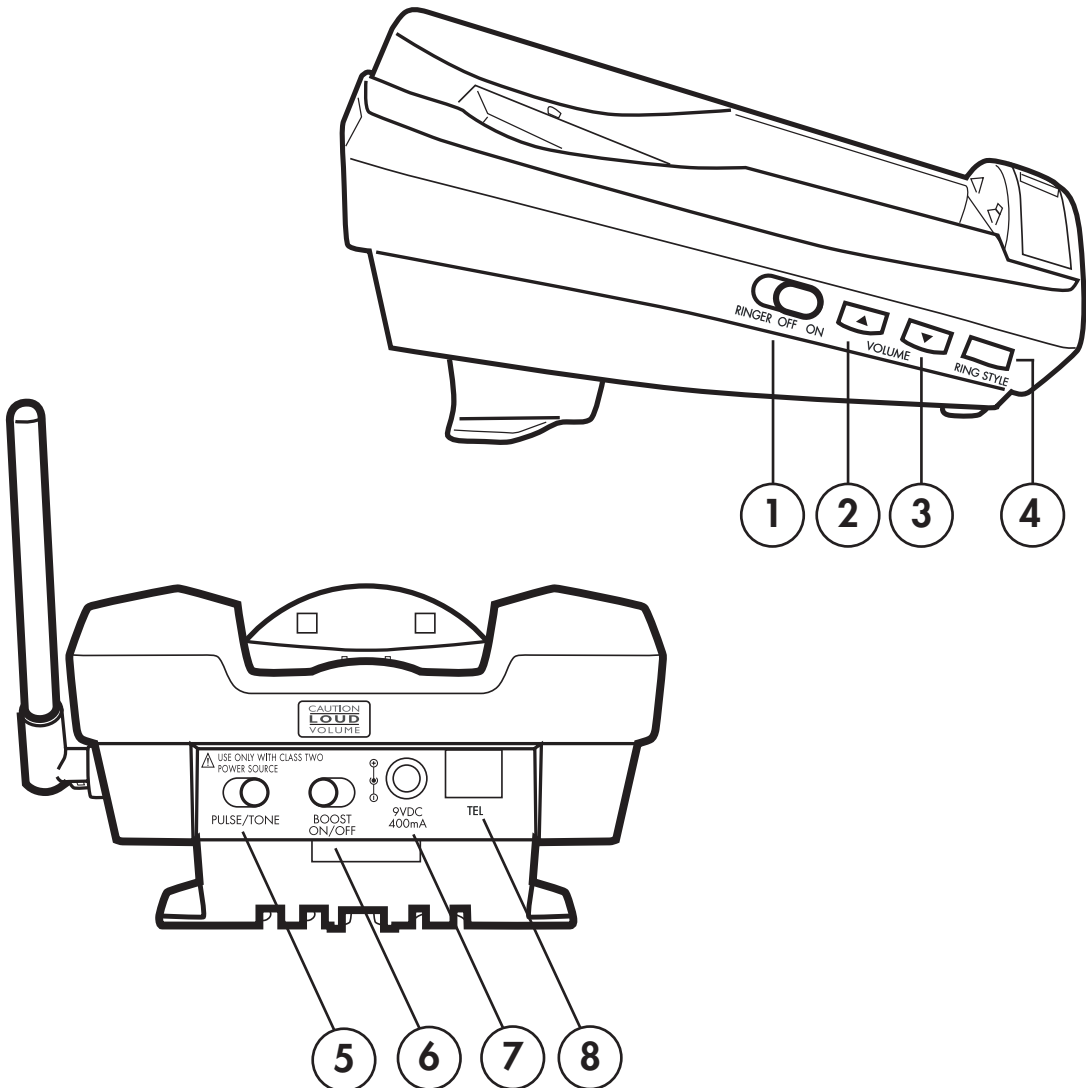
1. Timbre visual
2. Contactos de carga
3. Antena de la base
4. LED de Encendido (ROJO)
5. LED de En Uso/Cargando (VERDE/ROJO)
6. Localizar
7. Llamar
8. Desplazarse hacia arriba
9. Desplazarse hacia abajo
10. Borrar
11. Pantalla (LCD)
12. Sujetador para cinturón



# Funciones

## Lados de la Base

1. Encendido/Apagado del Timbre
2. Aumentar el Volumen
3. Disminuir el Volumen
4. Estilo del timbre
5. Pulso/Tono
6. Encendido/Apagado del BOOST
7. Enchufe del adaptador (eléctrico) de CA (Corriente alternada)
8. Enchufe de la línea telefónica



# Preparación

## Seleccionando la Ubicación

1. Este teléfono requiere un enchufe modular de teléfono (RJ11C) y un enchufe de electricidad en la pared de 120 V CA.
2. Enchufe el adaptador CA directamente en la pared.
3. No enchufe otros artefactos en el mismo enchufe ni tenga la salida controlada por un interruptor.
4. Seleccione una ubicación que se encuentre alejada de las actividades normales.

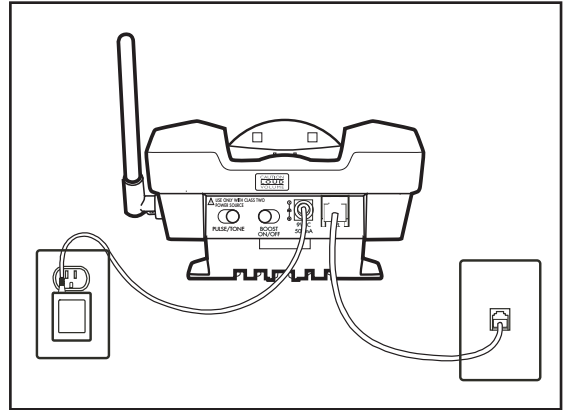
**ADVERTENCIA: UTILIZAR ÚNICAMENTE CON FUENTE DE ELECTRICIDAD CLASE 2 9V CC, 400mA.**

Siempre conecte el adaptador CA al teléfono antes de conectarlo a la fuente de electricidad AC. Al finalizar, desconecte de la fuente de electricidad CA antes de desconectarlo del teléfono. **Conectando su Teléfono**

Saque con cuidado su teléfono inalámbrico de la caja. Si existe algún daño visible no intente operar este equipo. Devuélvalo al lugar donde fue adquirido.

Verifique que tenga todos los artículos que acompañan al teléfono. Debe contar con: AURICULAR, UNIDAD DE BASE, ADAPTADOR CA, CABLE DE TELÉFONO Y GUÍA DE USUARIO.

Si en cualquier momento tiene preguntas respecto a su teléfono, le rogamos se



**Diagrama A**

comunique con nuestro Departamento de Servicio al Cliente al siguiente número: 1-800-552-3368 o 423-622-7793

## INSTALACIÓN

Siga estas instrucciones para colocar la base en un escritorio o mesa:

1. Enchufe un extremo del cable modular de teléfono suministrado en el enchufe marcado TEL ubicado en la parte posterior de la base del teléfono.
2. Enchufe el otro extremo del cable modular en el enchufe modular del teléfono.
3. Inserte el adaptador CA suministrado en el enchufe marcado DC 9V 400mA ubicado en la parte posterior de la Base del teléfono.
4. Enchufe el adaptador en una salida estándar de electricidad de 120 V.
5. Coloque la antena de la base en posición vertical.

# Preparación

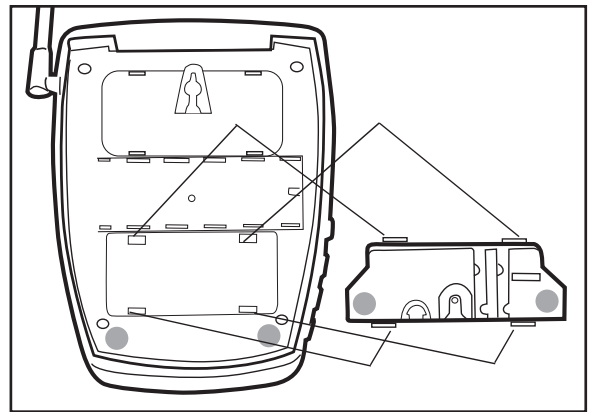
6. Coloque el interruptor **PULSO/ TONO (PULSE/TONE)** ubicado en la parte posterior de la base al modo correcto de marcado. Por favor verifique con su Compañía Local de Teléfono si no está seguro del tipo de servicio.
7. Coloque el Auricular en la horquilla para comenzar a cargarlo.

**NOTA:** Recuerde, debe cargar el teléfono al menos 12 horas antes de utilizarlo por primera vez.

## INSTALACIÓN SOBRE UNA MESA

Siga estas instrucciones para colocar la base sobre una mesa empleando el marco suministrado.

1. Introduzca la aleta del marco en las ranuras superiores para aleta de la base en la dirección marcada como **DESKTOP** en el marco y presione hacia abajo las presillas e introdúzcalas en las ranuras para presillas.
2. Enchufe un extremo del cable suministrado para teléfono modular dentro del Tel jack [enchufe para teléfono] situado en la parte trasera de la base del teléfono.
3. Enchufe el otro extremo del cable para teléfono modular dentro del enchufe para teléfono modular.
4. Introduzca el adaptador de CA dentro del enchufe marcado



**Diagrama B**

5. Encauce el cable del adaptador a través de la ranura estrecha del marco.
6. Conecte el adaptador en el tomacorriente estándar de corriente alterna.
7. Ponga la antena de base en posición vertical.
8. Coloque el interruptor **TONE/PULSE** situado en la parte posterior de la base en el modo correcto para hacer llamadas. Compruebe con su Compañía Telefónica Local si tiene dudas acerca del tipo de servicio disponible.
9. Coloque el microteléfono en su cuna para comenzar la carga inicial. Recuerde, hay que cargar el teléfono por lo menos durante 12 horas antes de usarlo por primera vez.

# Preparación

## INSTALACIÓN DE LA PILA

El Clarity 420 utiliza 3 pilas (Tipo AAA) de 3 voltios 600mAh NiMH Recargables que vienen incluidas con su unidad.

## LA PILA DEL AURICULAR DEBE ESTAR CONECTADA ANTES DE COMENZAR LA CARGA INICIAL.

Quite la tapa del compartimiento de las pilas y conecte el enchufe del paquete al conector de pilas. (Diagrama C).

La pila en el auricular debe cargarse por un total de 12 horas antes de utilizar el teléfono por primera vez.

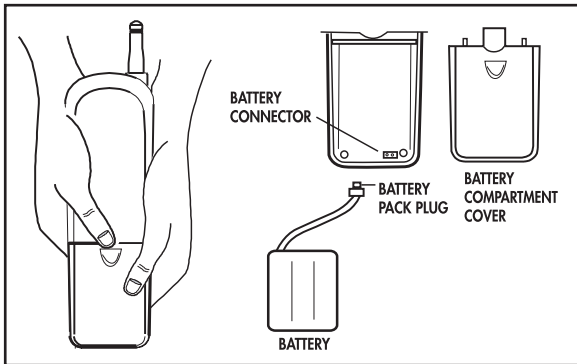


Diagrama C

### Instrucciones:

1. Quite la cubierta de la pila
2. Instale la pila nueva
3. Conecte el paquete de pilas
3. Coloque la cubierta
4. Cargue durante 12 horas antes del primer uso

## Batería con poca carga

Cuando la batería del auricular tiene poca carga, se oirán dos (2) tonos cada 30 segundos y el botón **TALK** parpadeará. Si la batería tiene poca carga cuando esté con una llamada, la llamada se desconectará después de unos dos (2) minutos. Termine la llamada y cargue nuevamente la batería. Para cargar nuevamente la batería, coloque el auricular en la base.

1. Cuando esté cargando las baterías, asegúrese de que los contactos estén tocándose y que la luz **LED** de **CARGA** esté encendido.
2. Tenga cuidado de no poner las baterías en corto circuito con materiales conductores, tales como anillos, brazaletes o llaves.

## Vida de la batería

Una batería completamente cargada le permite hablar por un promedio de cuatro (4) horas o permanecer en espera por ocho (8) días.

El tiempo de habla y en espera puede variar dependiendo de las condiciones de operación.

## Enchufe del Audífono

Un enchufe de 2.5 mm se encuentra ubicado en la parte superior del auricular que puede utilizarse conjuntamente con un audífono.

Mientras está en modo audífono, el volumen del mismo es controlado por el teléfono mientras que el auricular y el micrófono se desconectan.

# Configuración de las funciones

## Para hacer el pedido de un Audífono

En caso de que desee comprar un audífono para su C420, le rogamos se ponga en contacto con Plantronics al 1-800-544-4660 para determinar la ubicación más cercana a usted. Recomendamos el uso del auricular Plantronics M110/M130.

## Compatibilidad con Audífono

El auricular cuenta con una bobina especial en su parte interior para acoplar el sonido de audífonos equipados con Interruptores-T/Bobinas-T.

## Guía de referencia rápida

Una Guía de referencia rápida desplegable se encuentra en la parte inferior del C420. Le permitirá tener una referencia rápida de las funciones principales del teléfono y también anotar los números de emergencia y los marcados más frecuentemente que haya almacenado en su teléfono.

## AURICULAR

### Modo Configuración

**NOTA:** En Configuración, si no ingresa una selección por más de 30 segundos, la configuración volverá a la última selección de ese modo (por ejemplo, Idioma) y el C420 volverá al modo de espera (Standby). Si en cualquier momento usted quiere salir de Configuración y volver al modo de espera, presione **FLASH**.

Para entrar en el modo Configuración,

mantenga presionado el botón **LLAMAR (CALL)** por tres segundos.

### Seleccionando el Idioma

#### Preseleccionado: Inglés

1. Mantenga presionado el botón **LLAMAR** por tres (3) segundos para entrar en modo Configuración. La pantalla del Identificador de Llamada mostrará, **"SELECCIONAR IDIOMA."**
2. Presione en **LLAMAR** una vez para entrar al modo de selección de Idioma. El idioma actualmente seleccionado parpadeará.
3. Presione **ARRIBA (▲)** o **ABAJO (▼)** para desplazarse a través de las opciones de idiomas. El idioma mostrado cambiará a **"FRANCÉS"** o **"ESPAÑOL."**
4. Presione **LLAMAR** para seleccionar el idioma deseado.
5. Presione **ARRIBA (▲)** o **ABAJO (▼)** para avanzar al próximo menú.

### Seleccionando el Código Área (Ciudad)

1. Presione **LLAMAR** una vez para entrar al modo de selección de Código de Área. El primer dígito de la izquierda del código parpadeará. Use las teclas numéricas del teclado para ingresar el código de área deseado.
2. Presione **LLAMAR** para confirmar.
3. Presione **ARRIBA (▲)** o **ABAJO (▼)** para avanzar al próximo menú set.

# Configuración de las funciones

## Charla Automáticamente

### Preseleccionado: ENCENDIDO

Permitir al teléfono contestar a una llamada entrante cuando el microteléfono está en la charla auto de la horquilla se debe girar.

1. Press a para entrar en el modo auto de la selección de la charla.
2. Presione el botón **ARRIBA (▲)** o **ABAJO (▼)** para cambiar la opción.
3. Presione **LLAMAR** para confirmar la selección.
4. Presione **ARRIBA (▲)** o **ABAJO (▼)** para avanzar al próximo menú.

## Seleccionando Encendido/Apagado para el Identificador de Llamada

### Preseleccionado: ENCENDIDO

1. Presione **LLAMAR** una vez para entrar al modo de selección de CID.
2. Presione el botón **ARRIBA (▲)** o **ABAJO (▼)** para cambiar la opción.
3. Presione **LLAMAR** para confirmar la selección.
4. Presione **ARRIBA (▲)** o **ABAJO (▼)** para avanzar al próximo menú.

Si el modo **CID** está apagado, la pantalla (**LCD**) mostrará la hora y fecha junto con **"CID MODO APAGADO"**.

## Seleccionando la hora y la fecha

Hora/Fecha Preseleccionada "12:00 AM 01/01"

La hora y la fecha se actualizan automáticamente al recibir la primera llamada con identificador de llamada.

Si se pierde la hora por una falla eléctrica, cuando vuelva la energía eléctrica el reloj parpadeará.

1. Presione **ARRIBA (▲)** hasta que la pantalla muestre, **"HORA/FECHA"**.
2. Presione **LLAMAR** para comenzar a cambiar la fecha. La pantalla muestra la hora y fecha en la línea superior, por ejemplo. "12:05AM 12/20" con los dígitos del mes parpadeando.
3. Presione **ARRIBA (▲)** o **ABAJO (▼)** para cambiar el mes.
4. Presione **LLAMAR** una vez para seleccionar. Después de ajustar el mes, la fecha parpadea.
5. Presione **ARRIBA (▲)** o **ABAJO (▼)** para ajustar la fecha.
6. Presione **LLAMAR** una vez para seleccionar. Después de ajustar la fecha, la hora parpadea.
7. Presione **ARRIBA (▲)** o **ABAJO (▼)** para ajustar la hora.
8. Presione **LLAMAR** una vez para seleccionar. Después de ajustar la hora, los minutos parpadean.
9. Presione **ARRIBA (▲)** o **ABAJO (▼)** para ajustar los minutos.

# Configuración de las funciones

10. Presione **LLAMAR** una vez para seleccionar. Después de ajustar los minutos, **AM/PM** parpadeará.
11. Presione **ARRIBA (▲)** o **ABAJO (▼)** para ajustar **AM** o **PM**.
12. Presione **LLAMAR** una vez para seleccionar. Después de ajustar **AM** o **PM**, la hora/fecha se pondrá en blanco.
13. Presione **LLAMAR** una vez para mostrar nuevamente la hora/fecha o presione **ARRIBA (▲)** o **ABAJO (▼)** para ir al próximo menú.

## Seleccionando el Contraste

### Preseleccionado: Nivel 3

1. Presione **LLAMAR** una vez para entrar al modo de selección de Nivel de contraste. El nivel actualmente seleccionado parpadeará.
2. Presione **ARRIBA (▲)** o **ABAJO (▼)** para cambiar el nivel.
3. Presione **LLAMAR** para seleccionar el nivel deseado.
4. Presione **ARRIBA (▲)** o **ABAJO (▼)** para avanzar al próximo menú.

## Tecnología Clarity Power

Con la característica Clarity Power, los sonidos de alta frecuencia se amplifican más que los sonidos de baja frecuencia de manera tal

que no solamente las palabras suenan más fuertes, pero también se oyen más claras y fáciles de escuchar y entender.

## Botón Clarity Power Encendido/ Apagado

El C420 tiene un botón **CLARITY POWER** que controla el nivel del volumen del auricular. Una vez que se oprime el botón **CLARITY POWER**, se aumenta un nivel adicional de amplificación a través de todo el control de volumen. El estado normal de este botón es determinado por el interruptor Encendido/ Apagado del aumento de potencia (Boost) (En la parte posterior de la base, véase a continuación). Durante una llamada, el botón **CLARITY POWER** puede encenderse o apagarse de acuerdo a la necesidad del usuario.

El botón **TALK** se encenderá de color **ANARANJADO** para indicar que la característica de **CLARITY POWER** está activada.

**ADVERTENCIA:** Cuando el botón **TALK** se enciende **ANARANJADO**, el volumen puede estar a un nivel alto. Para proteger los oídos, baje el volumen al mínimo antes de usarlo.

## Control de Volumen

Controla el volumen en el auricular y el audífono. El control provee hasta 15dB de volumen antes de que se active el botón **CLARITY POWER**. Una vez que el botón **CLARITY POWER** es apretado, el C420 ofrecerá hasta 30dB de aumento.



# Configuración de las funciones

## Timbrador del Auricular

Instale el interruptor **ENCENDIDO/APAGADO** ubicado en el costado del auricular. El timbrador debe encontrarse **ENCENDIDO** en el auricular para que suene indicando una llamada.

## Timbrador de la Base

El timbrador de la base incluye un control del volumen y del estilo de timbrado ubicado en la parte superior de la base del teléfono.

Ajuste el volumen de timbrado oprimiendo el **VOLUMEN ARRIBA O BAJO** hasta que logre el volumen deseado.

El estilo de campanada o cadencia también puede ajustarse apretando el botón **ESTILO DE TIMBRADO**. Existen seis (ó) estilos disponibles permitiendo seleccionar aquel que prefiera. El timbrado sonará durante dos segundos mientras se escoge un estilo, permitiendo al usuario efectuar su selección.

**NOTA:** Si el timbrador del auricular y de la base se encuentran en apagado, el timbrador visual destellará indicando que está entrando una llamada.

## Timbradores Visuales

Los timbradores visuales se encuentran ubicados tanto en la antena del auricular como en la base del teléfono. Cuando se recibe una llamada, estas luces se encienden. El timbrador visual del auricular también se encenderá mientras el teléfono esté en uso.

## BASE DEL TELÉFONO

**Aumento de Potencia (Boost) Encendido/ Apagado (ON/OFF)**

**Interruptor ON/OFF de Boost [Refuerzo]**

Este interruptor inhabilitará la característica de reactivación del botón de **BOOST CLARITY POWER** en la forma siguiente: **ON** – Cuando el interruptor de **BOOST ON/OFF** se pone en **“ON”**, la función de refuerzo [Boost] se activará **ON** cada vez que se inicie una llamada y se quedará en **ON** cada vez que el teléfono quede colgado. Durante una llamada, el botón de **BOOST CLARITY POWER** puede activar o desactivar esta función de acuerdo con las necesidades del usuario.

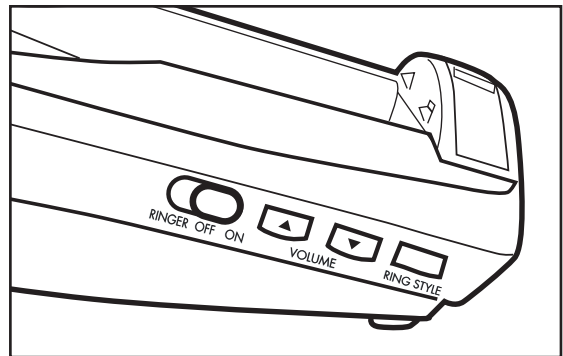


Diagrama D

**OFF** – Cuando el interruptor de **BOOST ON/OFF** se pone en **“OFF”**, la función de refuerzo [Boost] (Clarity Power) estará en **OFF** [desactivada] cada vez que se inicie una llamada y el usuario necesita oprimir

# Configuración de las funciones

el botón de **BOOST CLARITY POWER** para ganar el nivel adicional de amplificación. Esta característica permitirá al usuario el realizar múltiples llamadas en rápida sucesión sin tener que oprimir el botón de **BOOST** al comienzo de cada llamada.

Si se cuelga el teléfono por lo menos durante 5 segundos, el Clarity Power se reactivará para **OFF**. Durante una llamada, el botón de **BOOST CLARITY POWER** puede activar y desactivar la función de Clarity Power de acuerdo con las necesidades del usuario.

## Pulso/Tono

Seleccione la posición correspondiente al tipo de servicio telefónico que usted tiene; Tono para servicio de tonos o pulsos para discado rotativo. Verifique con su compañía local de teléfonos si no está seguro del tipo de servicio.

## Volumen del timbrador

El timbrador de la base incluye ajuste de volumen y de estilo ubicados al costado de la base del teléfono. Presione en **SUBIR** o **BAJAR** el **VOLUMEN** para ajustar el volumen del timbrador. Cada vez que presione en **SUBIR** o **BAJAR** el **VOLUMEN** usted oírán cuanto es el ajuste. Para apagar el volumen del timbrador, deslice el **ENCENDIDO/APAGADO** del timbrador a **APAGADO**.

## Estilo del timbrador

El estilo o cadencia del timbre también se puede ajustar presionando el botón **ESTILO DEL TIMBRADOR**. Hay seis (6) estilos disponibles que permiten personalizar el timbrado. El timbrador se escuchará durante 2 segundos mientras se elige un estilo, para permitir que el usuario haga la elección.

## Haciendo una llamada

1. Presione el botón **TALK** (el botón **TALK** se iluminará **VERDE**) y marque el número al que usted desee llamar.
2. Para terminar la llamada presione el botón **TALK** o coloque el auricular en la base.

## Recibiendo una llamada

1. Quite el auricular de la base. Usted se conectará automáticamente.

○

2. Presione el botón **TALK**.

Refiérase a Aumento de Potencia Clarity y Control de volumen para mayor información sobre el ajuste de los controles de volumen (Página 41).

# Operaciones del Teléfono

## Tono temporal

Si usted tiene servicio de discado rotativo (pulsos), usted puede cambiarlo de pulsos a tonos durante una llamada.

1. Haga la llamada telefónica y espere hasta que se conecte.
2. Presione la tecla\*. Las teclas que se presionen después de ésta se envían como señales de tono.
3. El teléfono se restablecerá automáticamente a servicio rotativo (pulsos).

## Controles del Campanero

Los timbradores y sus controles están ubicados tanto en el auricular como en la base del C420.

## Destello

El botón **FLASH** es activado para utilizar servicios corrientes tales como Llamada Esperando, o Llamada en Conferencia de tres. Por favor póngase en contacto con la compañía local de teléfonos para información sobre esos servicios.

## Silencio

El botón **MUDO** permite al usuario realizar una conversación que no desea que el interlocutor en línea escuche. Mientras en el modo **MUDO**, el botón **MUDO** iluminará **ROJO** y el micrófono en el auricular queda desconectado. Presionando sobre el botón **MUDO** nuevamente lo reactivará.

## Rediscado/Pausa

El botón **RD/P** opera las características de rediscado del último número y pausa.

### Rediscado del Último Número:

El último número discado (hasta 32 dígitos) se encuentra almacenado en la memoria de rediscado hasta tanto se dizque otro número.

### Para utilizar esta característica:

1. Presione el botón **TALK**
2. Al escuchar el tono, apriete el botón **RD/P**.
3. El teléfono discará el número automáticamente.

## Característica Pausa:

Programando una pausa hará que el teléfono espere cuatro (4) segundos antes de discar números adicionales. Esta característica puede utilizarse cuando es necesario discar un código de acceso (Por ejemplo 9 y esperar un Segundo tono antes de discar un número externo). Oprima el botón **RD/P** en el momento requerido durante el proceso de almacenamiento en memoria.

## Teclado Iluminado

El teclado se iluminará durante unos quince (15) segundos luego de levantarlo de la base. Para reactivar la característica mientras esté en pausa, apriete el botón **TALK** o el de **MEM**. Para activarla mientras el teléfono esté en uso, oprima cualquier botón.

# Operaciones del Teléfono

## Pantalla LCD

El **LCD** ubicado en la parte frente del teléfono mostrará el número al que usted está llamando y con el servicio de identificador de llamada, muestra información sobre llamadas entrantes antes de que usted conteste. La pantalla también funciona como reloj de llamada cuando el auricular está descolgado o en una llamada.

## Indicadores luminosos de la base

**ENCENDIDO** – La energía baja está encendido.

## En Uso/Cargando

Cuando el microteléfono está en la base que carga el LED brillará ROJO. Cuando el microteléfono está en una llamada el LED brillará verde.

## Buscarse personas/Localizar el auricular

Para enviar una señal desde la base al auricular, oprima el botón **PAGE** ubicado en la base del teléfono. Una serie de timbradas sonarán desde el auricular.

Para localizar el auricular si se encuentra alejado de la base, oprima y mantenga oprimido el botón **PAGE** durante unos cinco (5) segundos. Sonará una serie de timbradas. Vuelva el auricular a la base u oprima el botón **TALK** para cancelar la búsqueda.

## Operación en 40 canales

El teléfono inalámbrico Clarity 420 busca automáticamente y selecciona el canal más claro de los 40 canales cuando se está utilizando. Si hay interferencia en la línea, presionando ese botón lo llevará a otro canal.

## Código de Seguridad

El código de seguridad evita que sus conversaciones telefónicas puedan ser accedidas por un teléfono en una línea distinta. Una vez que la pila del auricular está totalmente cargada el auricular automáticamente seleccionará un código entre más de 65,000 combinaciones. El código es cambiado cada vez que el auricular es colocado en la base.

Si tiene problemas haciendo o recibiendo llamados esto puede ser a causa de la pérdida de un código de seguridad. Cuando esto ocurre, el auricular no puede comunicarse con la base. Vuelva a colocar el auricular en la base durante 5 a 10 segundos. Si esto no funciona, desenchufe el adaptador CA de la pared. Desconecte la pila del auricular durante 5 a 10 segundos y luego reconecte. Coloque nuevamente el auricular sobre la base y enchufe nuevamente el adaptador CA.

# Almacenamiento en Memoria

## Ubicaciones de Almacenamiento en Memoria

El C420 tiene 10 ubicaciones de almacenamiento indirectas y dos táctiles (0-9) en el teléfono que pueden ser programadas para discar números de hasta 16 dígitos que se utilizan con frecuencia.

Uno (1) botón con números de emergencia se encuentran ubicados en el auricular. Estos botones pueden ser programados con números de hasta 16 dígitos.

## Como Almacenar Números en la Memoria:

1. Oprima el botón **MEM**.
2. Dique el número que desea almacenar.
3. Oprima el botón **MEM** nuevamente.
4. Oprima el botón de emergencia o el número en el teclado donde desea almacenar el número.
5. Un bip largo indicará que el proceso de programación ha sido completado.

## Como Cambiar un Número Almacenado en la Memoria

Reemplace el número almacenado programando un número nuevo en su lugar.

## Como Borrar un Número Almacenado en la Memoria

1. Presione y sostenga el botón de **MEM**.

2. Entre en la localización (0-9) o presione el botón de los uno (1) botón del emergency y repase el número.
3. Presione a **DEL** button al erase del erase toda la memoria. **ERASE MEMO (BORRE LA NOTA)** y el número de la localización será displayed.
4. Presione **DEL** otra vez para confirmar.
5. Un beep largo indicará que el proceso de programación se ha completado.

**NOTA:** Durante el proceso de almacenamiento en memoria, el botón **TALK** emitirá una luz intermitente **VERDE**.

En caso de un corte de luz, la memoria es retenida durante al menos seis (6) horas.

## Como Discar desde la Memoria:

1. Oprima el botón **TALK**.
2. Oprima el botón **MEM**.
3. Oprima el botón en el teclado donde se encuentra almacenado el número deseado.
4. La llamada discará automáticamente.
5. Ajuste el volumen y Clarity Power de acuerdo a su requerimiento.

# Almacenamiento en Memoria

## Como Discar a Partir de la Ubicación Almacenaje de Números de Emergencia:

1. Oprima el botón **TALK**.
2. Oprima el número de emergencia deseado.
3. La llamada discará automáticamente.
4. Ajuste el volumen y Clarity Power según la necesidad.

## Para Utilizar un Servicio TONO en una Línea de Pulso (Tono Temporal):

1. Dique el número que desea llamar.
2. Cuando contesta el número, oprima el botón \*. Números adicionales que usted envíe son enviados como señales de tono.
3. Luego de completar la llamada, oprima **TALK** o vuelva a colocar el auricular en la base. El teléfono se ajustará automáticamente.

## Recibiendo una Llamada

### Auricular en la Base del teléfono:

1. Levante el auricular de la base.
2. No oprima **TALK**. Será conectado automáticamente.

### Auricular fuera de la Base:

1. Oprima el botón **TALK**.

## Como Terminar una Llamada

Coloque el auricular en la base u oprima el botón **TALK** para desconectar la línea.

# Identificador de Llamada



Diagrama E

**IMPORTANTE:** Usted debe suscribirse al servicio de Identificador de llamada de su compañía de teléfonos local para utilizar esta función.

Este teléfono mostrará automáticamente el nombre y el teléfono de la persona que llama, así como la fecha y la hora de la llamada. Grabará hasta 50 llamadas y almacenará los datos en la memoria.

## Funciones:

**LLAMAR:** Presionando este botón marcará el número en la pantalla y también se usa para seleccionar y guardar en el menú de Configuración.

**Desplazarse hacia arriba/abajo (Indicados como triángulo arriba/abajo): (▲) (▼)**

Permite el desplazamiento tanto hacia arriba como hacia abajo a través de la lista de **CID** y el menú de Configuración.

**BORRAR:** Presionando en borrar borra la entrada de la pantalla.

**EL LED** en la antena del auricular se iluminará **ROJO** para indicar que se ha recibido una nueva llamada.

## Marcha lenta

En el modo ocioso la voluntad del LCD display la información siguiente:

1. Date/Time
2. Estado De la Batería
3. Número de llamadas recibidas  
Example: ALL=20
4. Número de nuevas llamadas  
Example: 10 NEW
5. El icono de la repetición indica cualquier llamada de CID se repita que

## Viendo la lista de llamadas

Cuando se recibe una llamada, la pantalla muestra, el nombre, el número, la fecha y la hora de la llamada, si están disponibles.

## Número bloqueado

Aparece **PRIVADO** si el nombre y/o el número del que llama están bloqueados.

## Número desconocido

Aparecerá **DESCONOCIDO** si el nombre y/o el número de la llamada entrante no están disponibles.

Si el número de teléfono del identificador de llamada tiene más de 12 dígitos, la pantalla se alternará entre la primera y la segunda mitad del número automáticamente.

# Identificador de Llamada

El icono de llamada **REPETIDA** se iluminará si el C420 recibe más de una llamada del mismo número.

Habrà un mensaje para indicar el final de la lista CID.

## Haciendo una llamada desde la lista del Identificador de llamada

1. Use las flechas **ARRIBA/ABAJO** para desplazarse a través de la lista de llamadas.
2. Seleccione el número deseado presionando **LLAMAR**. El número seleccionado parpadeará. Use el desplazamiento **ARRIBA** y **ABAJO** para ver las opciones disponibles de marcado (7 dígitos, 10 dígitos u 11 dígitos).
3. Presione **LLAMAR** para seleccionar el formato de llamada deseada (véase más abajo). El número dejará de parpadear.
4. Presione e **LLAMAR** para marcar.

Cuando usted hace llamadas usando la información del Identificador de llamada, puede

seleccionar una de estas tres (3) opciones para marcar:

1. Número de 7 dígitos (123-4567)
2. Número de 7 dígitos más el código de área (890-123-4567)
3. 1 más el código de área más el número de 7 dígitos (1-890-123-4567)

## Borrando llamadas de la lista de llamadas

1. Mientras revisa el Identificador de llamada, presione **BORRAR** para borrar la información de las personas que llamaron. La pantalla parpadea "[NT1]¿BORRAR?"
2. Presione **LLAMAR** para seleccionar. La pantalla presentará brevemente, "**CID BORRADO.**" La siguiente entrada del Identificador de llamada aparece automáticamente o la pantalla muestra, "**- NO HAY LLAMADAS** " si la lista está vacía.

Los números de teléfono no se pueden borrar mientras estén parpadeando.



# Identificador de Llamada

## Borrando toda la información del Identificador de llamada

1. Mientras revise el Identificador de llamada, mantenga presionado el botón BORRAR por dos segundos. La pantalla parpadeará “**¿BORRAR TODO?**”
2. Presione LLAMAR para seleccionar. La pantalla muestra brevemente “**TODO CID**” Y “**BORRADO**” Y LUEGO “— NO HAY LLAMADAS —”.

En cualquier momento, usted puede presionar **FLASH** una vez para regresar al modo de espera. O regresará automáticamente a espera después de 30 segundos sin haber presionado ninguna tecla.

## Llamada en espera

Cuando usted esté en una llamada, oirá un tono. La pantalla (**LCD**) mostrará la información del identificador de llamada de la llamada entrante. Para contestar la llamada entrante, presione **FLASH**. La llamada original se pondrá en espera y usted se conectará con la segunda llamada. Para regresar a la llamada original, presione **FLASH**.

Si usted no atiende la llamada en espera, la información del Identificador de llamada se transferirá a la lista de llamadas como una llamada que ya se ha revisado.

# Mantenimiento y Cuidado

El Clarity 420 ha sido diseñado para darle años de servicio con un mínimo de cuidado.

Para asegurar el mayor rendimiento, siga estas instrucciones para el cuidado de su unidad:

1. Evite golpear o dejar caer la unidad.
2. Quite el polvo de la unidad regularmente. Limpie la unidad con un

pañó húmedo suave. No use detergente y evite un exceso de humedad.

3. El Clarity 420 es un artefacto eléctrico. Evite electrocución manteniendo el teléfono alejado del agua (Baño, fregadero, etc.)

# Detectando Problemas

## La unidad no opera / no hay señal de tono:

- Verifique que el botón TALK esté encendido.
- Verifique que el adaptador CA se encuentre bien enchufado en la base y el teléfono.
- Verifique que la línea de teléfono se encuentre bien enchufada en la pared y el teléfono.
- Asegúrese de que la antena de la base se encuentra en posición vertical.
- Asegúrese que la pila del auricular se encuentre completamente cargada.
- Verifique que el teléfono se encuentre en el modo correcto para discar el tono.
- Asegúrese de que se encuentra dentro de la zona de uso de la base.
- Reinstale el código de seguridad colocando el teléfono en la base durante 5 a 10 segundos.

## El teléfono no suena cuando recibe una llamada:

- Asegúrese de que el interruptor del TIMBRADOR en la base y en el auricular se encuentran en la posición ENCENDIDO.
- Verifique que el Adaptador CA se encuentre bien enchufado en la base y el teléfono.
- Verifique que la línea del teléfono se encuentre bien enchufada en la pared y el teléfono.
- Asegúrese de que se encuentra dentro de la zona de uso de la base.
- Puede que tenga demasiadas extensiones en su línea. Intente desenchufar algunos artefactos.

## Ruido, Estática, Interferencia o se escuchan otras llamadas al utilizar el Auricular:

- Intente cambiar de canales.
- Asegúrese de que la antena de la base se encuentra en la posición vertical.
- Asegúrese de que se encuentra dentro de la zona de uso de la base.

# Detectando Problemas

- Asegúrese de que la pila del auricular esta completamente cargada.
- Intente ubicar la base en otro sitio.
- Asegúrese de que el adaptador CA no se encuentre enchufado a la pared con otros artefactos.
- Intente colocar la base en otro sitio.

## El Teléfono No Retiene la Carga:

- Asegúrese de que los puntos de contacto en el auricular y la base se encuentran libres de polvo y suciedad.
- Limpie los puntos de contacto con un paño suave.
- Asegúrese de que el INDICADOR DE CARGA en la base se encuentra encendido cuando el auricular se encuentre sobre la base.
- Si fuera necesario, reemplace la pila del auricular (Referirse a la sección Cambio de la Pila del Auricular).

## Dificultad en Efectuar o Recibir Llamadas:

- Ubíquese más cerca de la base e intente nuevamente.
- Si esto no funciona, puede que haya perdido su código de seguridad.
- Vuelva a colocar el auricular sobre la base durante 5 a 10 segundos. (Referirse a la sección Código de Seguridad).
- Asegúrese de que ha seleccionado el modo de discado correcto, tono o pulso.
- Asegúrese de que el adaptador CA no se encuentre enchufado a la pared con otros artefactos.
- Desconecte durante 5 a 10 segundos y reconecte. Coloque el auricular nuevamente sobre la base y vuelva a enchufar el adaptador AC.
- Asegúrese de que la pila del auricular esté completamente cargada.

# Cumplimiento con los Reglamentos

## Información sobre la Parte 68 de las Reglas FCC (Comisión Federal de Comunicaciones de EE.UU. por sus siglas en inglés)

a) Este equipo cumple con la Parte 68 de las reglas FCC y con los requerimientos adoptados por la ACTA (Asociación Americana de Prestadores de Servicios de Telecomunicaciones por sus siglas en inglés) En la parte de abajo de este equipo hay una etiqueta que contiene, entre otra información, un identificador del producto en formato de EE.UU.: AAAEQ##TXXXX. Si se solicita, este número debe ser proporcionado a la compañía de teléfonos.

b) Una clavija y enchufe usados para conectar este equipo al alambrado del local y red telefónica deben cumplir con las reglas aplicables de la FCC Parte 68 y con los requerimientos adoptados por el ACTA. Un cable telefónico y enchufe modular que cumplen, RJ11C, se proporcionan con este producto. Está diseñado para ser conectado a un enchufe modular compatible que también cumpla. Para más detalles, vea las instrucciones de instalación.

c) Se usa el REN (Número de Equivalencia de Timbre) para determinar el número de dispositivos que pueden ser conectadas a una línea telefónica. Demasiados RENs en una línea telefónica podrían provocar que los dispositivos no suenen en respuesta a una llamada entrante. En la mayoría pero no en todas las áreas, el total de RENs no debe superar los cinco (5.0). Para estar seguro de la cantidad de dispositivos que pueden estar

conectados a la línea, como lo determinan los RENs totales, póngase en contacto con la compañía de teléfonos local. Para los productos aprobados después de Julio 23 de 2001, el REN para este producto es parte del identificador de producto que tiene el formato de los EE.UU.: AAAEQ##TXXXX.

Los dígitos representados por ## son el REN sin un punto decimal (por Ej. 03 es un REN de 0.3). Para productos anteriores, el REN se muestra separadamente en la etiqueta.

d) Si este equipo telefónico causa daños a la red telefónica, la compañía de teléfonos le notificará por adelantado que una suspensión temporal del servicio puede ser necesaria. Pero si el aviso por adelantado no es práctico, la compañía de teléfonos le notificará al cliente tan pronto como sea posible. También, se le asesorará de su derecho de presentar una queja con la FCC si usted lo cree necesario.

e) La compañía de teléfonos puede realizar cambios en sus instalaciones, equipos, operaciones o procedimientos que podrían afectar el funcionamiento del equipo. Si esto sucede, la compañía de teléfonos proporcionará aviso por adelantado para que usted pueda hacer las modificaciones necesarias para mantener el servicio sin interrupciones.

f) Si se experimentan problemas con este equipo telefónico, para información sobre la reparación o garantía, por favor póngase en contacto con Clarity, al 1-800-552-3368. Si el equipo está causando daños a la red

# Cumplimiento con los Reglamentos

telefónica, la compañía de teléfonos puede solicitar que usted desconecte el equipo hasta que el problema sea resuelto.

g) Este equipo de teléfono no está destinado para ser reparado y no contiene partes reparables. El abrir el equipo o cualquier intento de hacer reparaciones anulará la garantía. Para servicio o reparaciones, llame al 1-800-552-3368.

h) La conexión a servicios de línea colectiva está sujeta a tarifas estatales. Póngase en contacto con la comisión de servicios públicos estatales, la comisión del servicio público o la comisión corporativa para información.

i) Si su casa tiene un equipo de alarma especialmente cableado conectado a la línea de teléfono, asegúrese que la instalación de este equipo telefónico no inhabilite su equipo de alarma. Si tiene alguna pregunta sobre lo que deshabilitaría el equipo de alarma, consulte a su compañía de teléfonos o a un instalador calificado.

j) Este equipo telefónico es compatible con los auxiliares auditivos.

## **Teléfonos de Monedas/Tarjeta de Crédito Propiedad del Cliente:**

Para cumplir con las tarifas estatales, la compañía de teléfonos debe ser notificada antes de la conexión. En algunos estados, la comisión de servicios públicos estatales, la comisión del servicio público o la comisión corporativa deben dar aprobación previa de conexión.

## **Información sobre la Parte 15 de las Reglas FCC (Comisión Federal de Comunicaciones de EE.UU. por sus siglas en inglés)**

### **Este dispositivo cumple con la Parte 15 de las Reglas FCC. La operación está sujeta a las siguientes dos condiciones: (**

1) Este dispositivo no puede causar interferencia perjudicial, y (2) este dispositivo debe aceptar cualquier interferencia recibida, incluyendo interferencia que pudiera causar operación no deseada.

Su equipo fue probado y se comprobó que cumple con los límites para un dispositivo digital Clase B, de acuerdo con la Parte 15 de las normas de la FCC (Comisión Federal de Comunicaciones). Estos límites están diseñados para ofrecer una protección razonable contra la interferencia perjudicial en una instalación residencial.

Este equipo genera, utiliza y puede irradiar energía de radiofrecuencia y, si no se instala y se utiliza de acuerdo con las instrucciones, puede producir interferencia perjudicial en las comunicaciones radiales. Sin embargo, no hay garantía de que no ocurrirá interferencia en una instalación particular; si este equipo causa interferencia perjudicial a la recepción de radio o televisión, la cual puede determinarse apagando y encendiendo el equipo, se le anima a que trate de corregir la interferencia con una de las siguientes medidas:

# Cumplimiento con los Reglamentos

1. Donde pueda hacerse con seguridad, reoriente la antena receptora de televisión o radio.
2. En la medida de lo posible, reubique la televisión, el radio u otro receptor con respecto al equipo telefónico. (Esto aumenta la separación entre el equipo telefónico y el receptor.)
3. Conecte el equipo telefónico a un enchufe o circuito diferente de aquel al que la televisión, el radio u otro receptor está conectado.
4. Consulte al distribuidor o a un técnico de radio/televisión experimentado para que le ayuden.

**PRECAUCIÓN:** Los cambios o modificaciones no aprobados expresamente por el fabricante responsable del cumplimiento pudieran anular la autoridad del usuario de operar el equipo.

## Especificaciones Técnicas de Industry Canada

### Este producto cumple con las especificaciones técnicas aplicables de Industry Canada

Antes de instalar este equipo, los usuarios deben asegurarse de que está permitido conectarlo en las instalaciones de la compañía local de telecomunicaciones. Además el equipo debe instalarse con un método de conexión aceptado. En algunos casos, el

cableado interior de la compañía asociado con un servicio individual de línea sencilla puede ser extendido por medio de un ensamblaje conector certificado (cable de extensión telefónica). El cliente debe estar consciente de que el cumplimiento de las condiciones mencionadas anteriormente quizás no evite el deterioro del servicio en algunas situaciones. Las reparaciones al equipo certificado deben ser llevadas a cabo por un servicio de mantenimiento canadiense autorizado designado por el proveedor.

Cualquier reparación o alteración del equipo realizada por el usuario, o el mal funcionamiento del equipo, pueden dar motivo a la compañía de telecomunicaciones para solicitar al usuario que desconecte el equipo.

Los usuarios deben asegurarse, para su propia protección, de que las conexiones eléctricas a tierra del suministro de energía pública, las líneas telefónicas y los sistemas metálicos de cañería de agua internos, si los hubiera, estén conectados conjuntamente. Esta precaución puede ser especialmente importante en áreas rurales.

**PRECAUCIÓN:** Los usuarios no deben intentar hacer tales conexiones por sí mismos, sino que deben ponerse en contacto con la autoridad de inspección eléctrica apropiada, o electricista, según sea apropiado.

# Cumplimiento con los Reglamentos

El Número de Equivalencia de Timbre es un indicativo del número máximo de terminales que se permite sean conectadas a una interfaz telefónica. La terminación en una interfaz puede constar de cualquier combinación de dispositivos, lo que está sujeto sólo al requisito de que la suma de todos los Números de Equivalencia de Timbres de todos los dispositivos no sea superior a cinco.

(El término "IC": antes del número de certificación/registro solo significa que las especificaciones técnicas de Industry Canada fueron cubiertas.)

## **La parte responsable para el cumplimiento reglamentario:**

Clarity, Una División de Plantronics, Inc.  
4289 Bonny Oaks Drive, Suite 106  
Chattanooga, TN 37406  
Teléfono: 1-800-552-3368

La siguiente información de garantía y servicio solamente es aplicable a productos comprados y usados en los EE.UU y Canadá. Para información de garantía en otros países, por favor póngase en contacto con su vendedor o distribuidor locales.

# Garantía y Servicio

## Garantía Limitada

Clarity, una división de Plantronics, Inc. ("Clarity") garantiza al comprador consumidor original que, excepto por las limitaciones y exclusiones presentadas para consideración abajo, que este producto debe estar libre de defectos en materiales y mano de obra por un período de un (1) año de la fecha de la compra original ("Período de Garantía"). La obligación de Clarity bajo esta garantía deberá ser a la opción de Clarity, sin cargo, de cualquier parte o unidad que pruebe ser defectuosa en material o mano de obra durante el Período de Garantía.

## Exclusiones de la Garantía

Esta garantía solamente es aplicable a defectos en materiales de fabricación y mano de obra de fábrica.

Cualquier condición causada por accidente, abuso, mal uso u operación inapropiada, infracción de las instrucciones provistas por Clarity, destrucción o alteración, voltajes o corrientes eléctricas inapropiadas o reparación o mantenimiento intentado por alguien más que Clarity o un centro de servicio autorizador no es un defecto cubierto por esta garantía. Las compañías telefónicas fabrican diferentes tipos de equipo y Clarity no garantiza que este equipo sea compatible con el equipo de una compañía telefónica particular.

## Garantías Implícitas

Bajo la ley estatal, usted puede estar calificado para el beneficio de ciertas garantías implícitas. Estas garantías implícitas continuarán en vigor solamente durante el período de garantía. Algunos estados permiten limitaciones sobre el tiempo que dura una garantía implícita, así que las limitaciones anteriores pueden no ser aplicables para usted.

## Daños Incidentales o Consecuenciales

Ni Clarity ni su vendedor de menudeo o distribuidor de ventas tienen responsabilidad alguna por cualesquier daños incidentales o consecuenciales incluyendo sin limitación, pérdida o ganancia comercial, o por cualesquier gastos, pérdida de tiempo o inconveniencia incidentales. Algunos estados no permiten exclusión o limitación de daños incidentales o consecuenciales así que la limitación o exclusión anterior puede no ser aplicable para usted.

## Otros Derechos Legales

Esta garantía le da derechos legales específicos y usted puede tener también otros derechos los cuales varían de estado a estado.

## Como Obtener el Servicio de Garantía

Para obtener el servicio de garantía, por favor prepague el envío y regreso de la unidad a la instalación apropiada listada abajo. En los Estados Unidos.



# Garantía y Servicio

## Centro de Servicio Clarity (Clarity Service Center)

4289 Bonny Oaks Drive, Suite 106  
Chattanooga, Tennessee 37406

Tel: (423) 622-7793  
(800) 426-3738

Fax: (423) 622-7646  
(800) 325-8871

## En Canadá

## Centro De Servicio Clarity (Clarity Service Center)

Plantronics Service Center  
8112 Trans Canada Highway  
Ville St-Laurent, Quebec H4S 1M5  
Canada

Tel: (800) 540-8363  
(514) 956-8363

Fax: (514) 956-1825

Por favor use el contenedor original, o empaque la(s) unidad(es) en un cartón firme con suficiente material de empaque para prevenir daño.

### Incluya la siguiente información:

1. Una prueba de compra indicando el número de modelo y la fecha de compra.
2. Dirección de facturación.
3. Dirección de envío.
4. Número y descripción de las unidades enviadas.
5. Nombre y número telefónico de la persona a llamar, si fuera necesario ponerse en contacto.
6. Razón para la devolución y descripción del problema.

El daño ocurrido durante el envío se considera responsabilidad del transportista, y las reclamaciones deben hacerse directamente con el transportista.



# Téléphone sans fil 900 MHz à Technologie Clarity® Power™

## Guide de l'utilisateur du Clarity 420



# Table des Matières

<b>Consignes de sécurité</b> . . . . .	61	Signal clignotant (FLASH) . . . . .	76
<b>Caractéristiques</b> . . . . .	64	Silence (MUTE) . . . . .	76
<b>Pour commencer</b> . . . . .	67	Recomposition / Pause . . . . .	77
Choix de l'emplacement . . . . .	67	Clavier lumineux . . . . .	77
Installation . . . . .	67	Afficheur à cristaux liquides . . . . .	77
Installation de la pile . . . . .	69	Témoins de la base . . . . .	77
Chargement de la pile du combiné . . . . .	69	Bouton d'aide pour retrouver le combiné (style téléavertisseur) . . . . .	77
Indicateur de pile déchargée . . . . .	69	Recherche sur 40 canaux . . . . .	78
Durée d'utilisation de la pile . . . . .	70	Code de sécurité . . . . .	78
<b>Prise du casque</b> . . . . .	70	<b>Mise en mémoire</b> . . . . .	79
<b>Pince de ceinture</b> . . . . .	70	Emplacement de la mémoire . . . . .	79
<b>Compatibilité avec les     appareils auditifs</b> . . . . .	70	Pour mettre des numéros en mémoire . . . . .	79
<b>Aide-mémoire</b> . . . . .	70	Pour composer un numéro en mémoire . . . . .	79
<b>Configuration des fonctionnalités</b> . . . . .	71	Pour modifier un numéro en mémoire . . . . .	79
Combiné . . . . .	71	Pour effacer un numéro en mémoire . . . . .	79
Mode configuration . . . . .	71	<b>Identification du demandeur</b> . . . . .	80
Technologie Clarity Power . . . . .	74	Pour consulter la liste des demandeurs . . . . .	80
Bouton Boost Clarity Power (marche/arrêt) . . . . .	74	Pour effectuer un appel à partir de la liste des demandeurs . . . . .	81
Molette de volume . . . . .	74	Pour effacer des données de la liste des demandeurs . . . . .	81
Base de L'appareil . . . . .	74	<b>Entretien et soins</b> . . . . .	82
Boost ON/OFF (amplification supplémentaire) . . . . .	74	<b>Diagnostic</b> . . . . .	83
Mode Composition . . . . .	75	<b>Conformité réglementaire</b> . . . . .	85
Réglage du volume de la sonnerie . . . . .	75	<b>L'étendue de la Garantie</b> . . . . .	88
Réglage de sonnerie du combiné . . . . .	75		
Styles de sonneries . . . . .	75		
<b>Fonctionnalités de l'appareil</b> . . . . .	76		
Pour effectuer un appel . . . . .	76		
Pour répondre à un appel . . . . .	76		
Tonalité temporaire . . . . .	76		
Sonnerie visuelle . . . . .	76		

# Consignes de sécurité

Lorsque vous utilisez votre équipement téléphonique, assurez-vous toujours de suivre les consignes de sécurité de base afin de réduire les risques d'incendie, de choc électrique et de blessure y compris ce qui suit :

1. Veuillez lire et comprendre toutes les instructions.

2. Prêtez attention à tous les avertissements et instructions indiqués sur le téléphone.

3. N'utilisez pas ce téléphone à proximité d'une baignoire, d'un lavabo, d'un évier de cuisine ou d'un bac à laver, si vous vous trouvez dans un sous-sol humide, à proximité d'une piscine ou en présence d'eau.

4. Évitez d'utiliser un téléphone (à l'exception des téléphones sans fil) durant un orage. Il

pourrait y avoir un risque, bien que minime, de choc électrique causé par la foudre.

5. N'utilisez pas le téléphone pour rapporter une fuite de gaz si vous vous trouvez à proximité de la fuite.

6. Débranchez ce téléphone des prises de courant murales avant de le nettoyer. N'utilisez pas de savon liquide ou de détergent en aérosol sur le téléphone. Utilisez plutôt un linge humide.

7. Placez ce téléphone sur une surface stable. De graves dommages et/ou blessures pourraient se produire si le téléphone tombait.

8. Ne couvrez pas les fentes et les ouvertures du téléphone. Ce téléphone ne devrait jamais être placé à proximité ou au-dessus d'un radiateur ou d'un registre de chaleur. Ce téléphone ne devrait jamais être placé sur une installation intégrée sauf si une ventilation adéquate est fournie.

9. Utilisez ce téléphone en vous servant d'un courant électrique variable tel qu'indiqué sur l'unité de support ou dans le manuel de l'utilisateur. Si vous ne connaissez pas la tension dans votre maison, consultez votre distributeur ou compagnie d'électricité locale.

10. Ne placez aucun objet sur le cordon d'alimentation. Installez le téléphone de manière à éviter qu'on ne trébuche sur le fils.

11. Ne surchargez pas les prises de courant murales ou les rallonges électriques, car elles pourraient augmenter le risque d'incendie ou de choc électrique.

12. Ne poussez jamais d'objets dans les fentes du téléphone. Ils peuvent atteindre des niveaux de tension dangereux ou court-circuiter des pièces pouvant ainsi causer un incendie ou un choc électrique. Ne jamais renverser de liquide, de quelque nature qu'il soit, sur le téléphone.

13. Pour diminuer le risque de choc électrique, ne démontez jamais ce téléphone.

**CONSERVEZ CES INSTRUCTIONS**

# Consignes de sécurité

Ouvrir ou enlever le couvercle pourrait vous exposer à une tension dangereuse ou à d'autres risques. Un remontage inadéquat pourrait causer un choc électrique lorsque l'appareil est utilisé par la suite.

14. Débranchez ce téléphone de la prise de courant murale et contactez le fabricant pour toute demande de service impliquant l'une des situations suivantes :

A. Lorsque le cordon ou la fiche de l'alimentation électrique sont éraillés ou endommagés.

B. Si un liquide a été renversé sur le produit.

C. Si le téléphone a été exposé à de la pluie ou de l'eau.

D. Si le téléphone ne fonctionne pas normalement après avoir suivi les consignes d'utilisation. Ajustez uniquement les commandes couvertes par les consignes d'utilisation. Un ajustement inapproprié pourrait exiger l'intervention d'un technicien qualifié afin de remettre le téléphone dans un état normal.

E. Si le téléphone est tombé ou que le boîtier a été endommagé.

F. Si le téléphone présente des changements sensibles de performance.

15. N'installez jamais de câbles téléphoniques durant un orage.

16. N'installez jamais de prises de téléphone dans des endroits humides sauf si la prise est spécialement conçue pour être installée dans ce genre d'endroit.

17. Ne touchez jamais à des câbles de téléphone ou à des terminaux non isolés sauf si la ligne de téléphone a été débranchée au niveau de l'interface réseau.

18. Soyez prudent lorsque vous installez ou modifiez les lignes de téléphone.

19. Utilisez seulement les cordons d'alimentation et les batteries indiquées dans ce manuel. Ne jetez jamais des batteries dans un feu. Elles pourraient exploser. Vérifiez auprès de votre municipalité pour savoir s'il existe des dispositions spéciales pour se débarrasser de ce type de matériel.

20. Branchez l'adaptateur c.a. dans la prise la plus proche du téléphone et la plus facile d'accès.

**CONSERVEZ CES INSTRUCTIONS**

# Instructions de Sécurité Pour les Piles

**Mise en garde:** Risque d'explosion si la batterie est remplacée par un mauvais type de batterie.

Disposez des batteries usagées conformément aux instructions.

1. Utilisez uniquement le bloc-batteries approuvé dans le combiné de votre téléphone sans fil.

**Pour le combiné : 3.6V 600mAh  
Batterie rechargeable NiMH  
GP60AAAH3BMJZ  
GPI International Ltd  
3SN-AAA60H-S-J 1  
Sanik Battery Co., Ltd.**

2. Ne jetez jamais des batteries dans un feu, car elles pourraient provoquer une explosion.

Vérifiez auprès de votre municipalité pour savoir s'il existe des dispositions spéciales pour se débarrasser de ce genre de matériel.

3. N'ouvrez pas et n'endommagez pas la batterie. L'émission d'électrolyte est corrosif et pourrait causer des dommages aux yeux et à

la peau. Cette substance est toxique si elle est avalée.

4. Soyez prudent en manipulant des batteries afin de ne pas court-circuiter la batterie avec des matériaux conducteurs tels que des bagues, des bracelets et des clés. La batterie ou le matériau de conduction pourrait surchauffer et causer des brûlures.

5. Chargez la(les) batterie(s) fournies ou des tinées à être utilisées avec ce produit en suivant les instructions et les restrictions indiquées dans ce manuel.

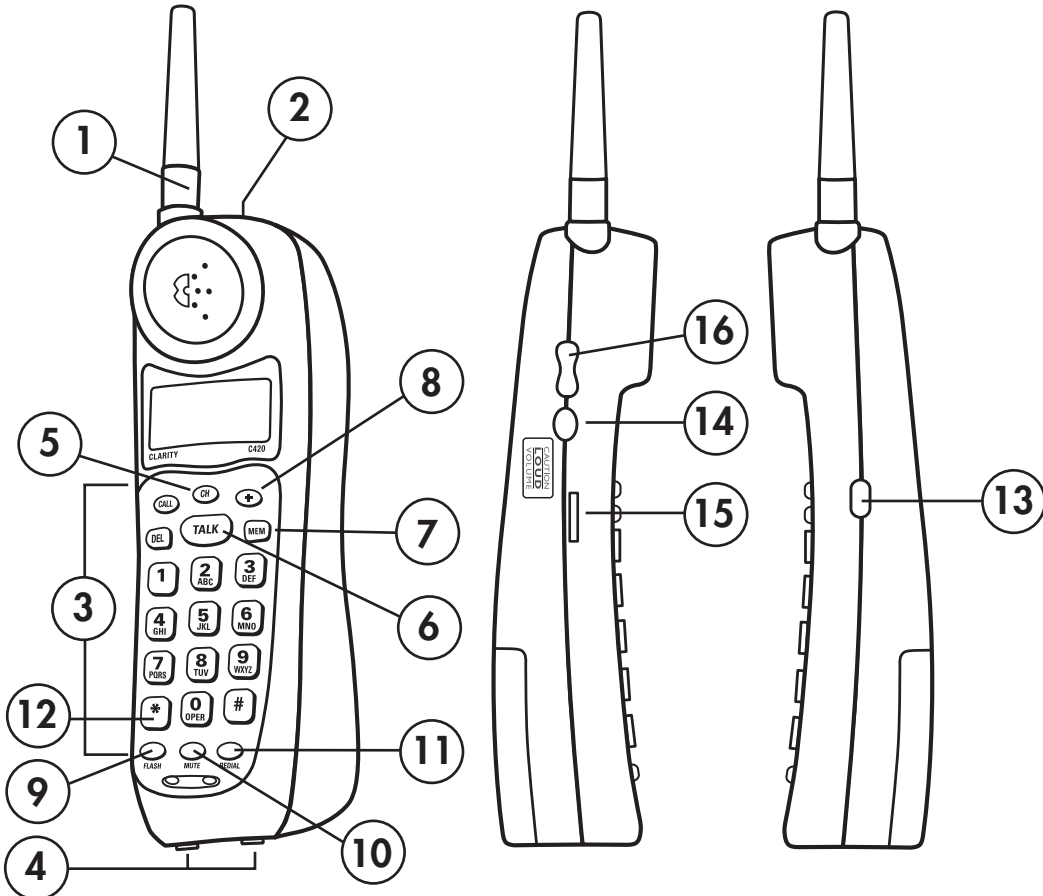
6. Prêtez attention à la bonne orientation de polarité entre le bloc-batteries et le chargeur de batteries.

**CONSERVEZ CES INSTRUCTIONS**

# Caractéristiques

## Combiné Devant

1. Antenne / Sonnerie visuelle du combiné / Indicateur d'appel
2. Connecteur de casque 2,5 mm
3. Clavier
4. Contacts de chargement du combiné
5. Touche de canal (CH)
6. Touche de communication (TALK)
7. Touche mémoire (MEM)
8. Touche de stockage de mémoire d'urgence
9. Touche de signal clignotant (FLASH)
10. Touche silence (MUTE)
11. Touche recomposition / pause (RD/P)
12. Touche de tonalité temporaire (\*)
13. Contrôle de sonnerie (marche / arrêt)
14. BOOST Clarity Power (amplification supplémentaire)
15. Molette de volume
16. Le haut/Le bas

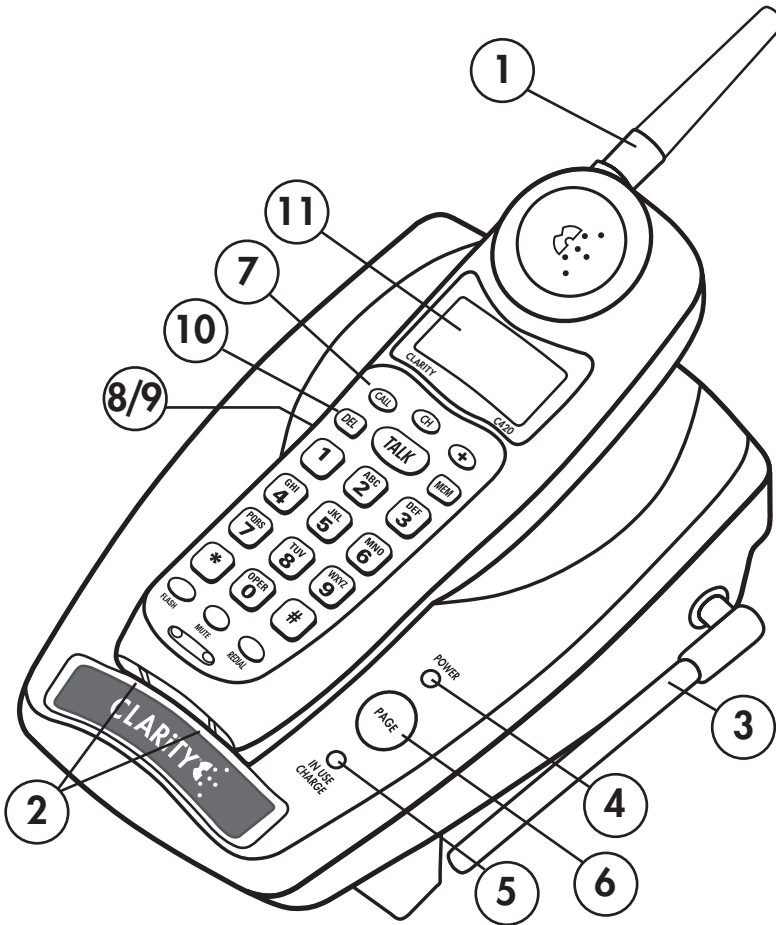




# Caractéristiques

## Dessus de la base/arrière du combiné

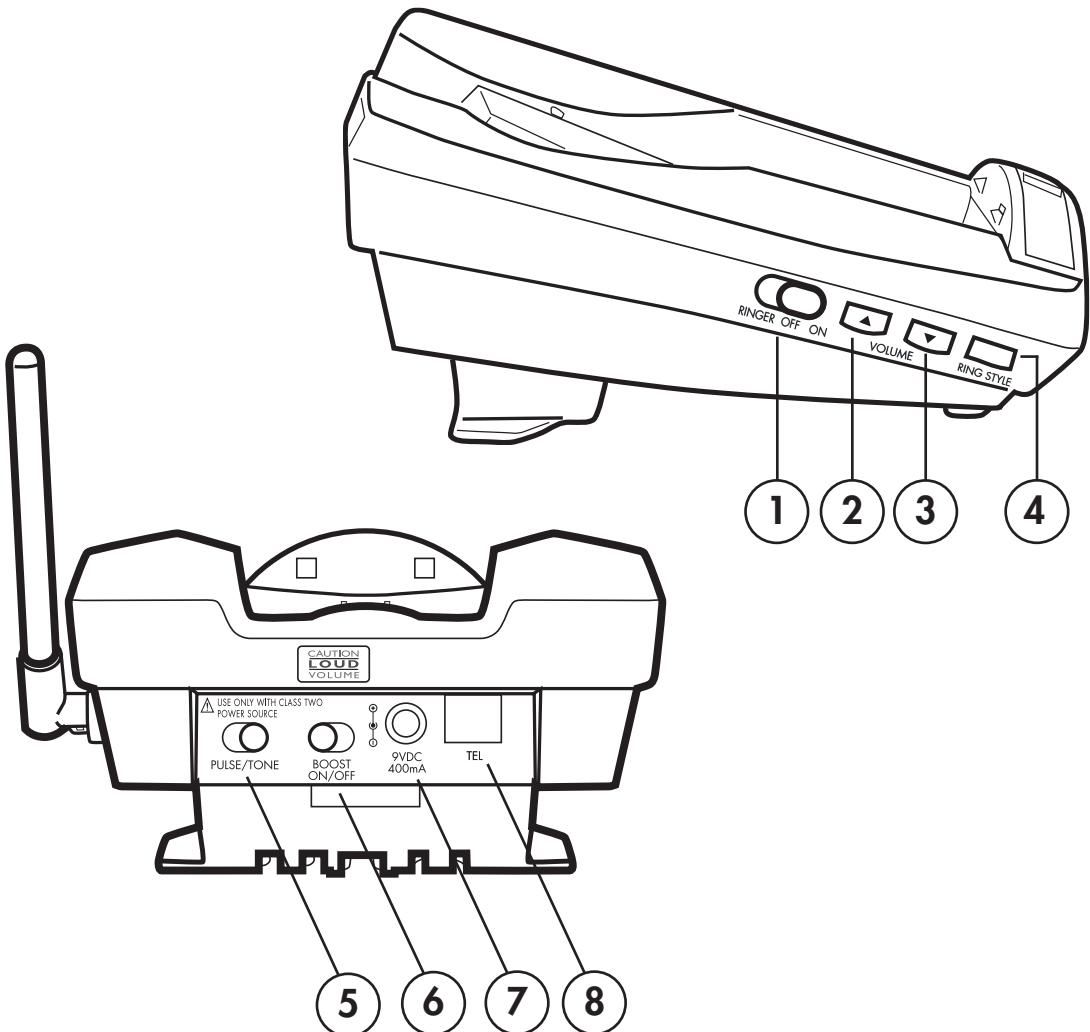
1. Sonnerie visuelle
2. Contacts de chargement
3. Antenne de la base
4. Témoin d'alimentation (ROUGE)
5. Témoin d'utilisation et de chargement (VERT/ROUGE)
6. Téléavertisseur
7. Call (appel du numéroaffiché)
8. Défilement vers le haut
9. Défilement vers le bas
10. Suppression (DELETE)
11. Afficheur à cristaux liquides
12. Pince de ceinture



# Caractéristiques

## Côtés de la base

1. Sonnerie éteinte/allumée (Off/On)
2. Pour monter le volume
3. Pour baisser le volume
4. Styles de sonneries
5. Modes de composition par impulsions/multifréquence (Pulse/Tone)
6. BOOST On/Off (pour activer/désactiver l'amplification supplémentaire)
7. Prise de l'adaptateur électrique (transformateur)
8. Prise de ligne téléphonique



# Pour Commencer

## Choix de l'emplacement

1. Ce téléphone exige un connecteur de téléphone modulaire (RJ11C) et une prise de courant standard 120 V alternatifs.
2. Connectez l'adaptateur électrique directement dans la prise.
3. N'utilisez pas une prise partagée avec d'autres appareils ou contrôlée par un interrupteur mural.
4. Choisissez un endroit éloigné des activités usuelles.

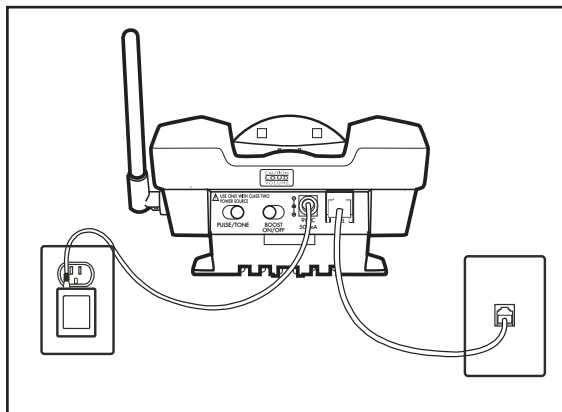
**ATTENTION:- UTILISER UNIQUEMENT AVEC UNE SOURCE ÉLECTRIQUE DE CLASSE 2, 9V CONTINUS, 400mA.**

Connectez toujours l'adaptateur électrique au téléphone avant de le raccorder à la source de courant. Lorsque vous avez terminé, débranchez-le du courant avant de le déconnecter du téléphone.

## INSTALLATION

Enlevez votre téléphone sans fil de sa boîte avec précaution. Si vous voyez qu'il est endommagé, n'essayez pas de l'utiliser, mais ramenez-le là où vous l'avez acheté.

Vérifiez que vous avez tous les éléments allant avec votre téléphone: **COMBINÉ, BASE, ADAPTATEUR ÉLECTRIQUE, CÂBLE DE LIGNE TÉLÉPHONIQUE ET MANUEL DU PROPRIÉTAIRE.**



**Diagramme A : Placer la base**

Si à un quelconque moment vous avez des questions sur votre téléphone, veuillez contacter notre Service clientèle au 1-800-552-3368 ou au 423-622-7793.

Suivez ces instructions pour placer la base sur un bureau ou une table.

1. Raccordez un bout du câble de ligne téléphonique modulaire (fourni) au connecteur marqué TEL situé à l'arrière de la base du téléphone.
2. Raccordez l'autre bout du câble modulaire de ligne téléphonique à un connecteur téléphonique modulaire.
3. Insérez la fiche de l'adaptateur électrique fourni dans le connecteur marqué DC 9V 400 mA situé sur l'arrière de la base.
4. Raccordez l'adaptateur à une prise électrique standard 120 V alternatif.
5. Mettez l'antenne de la base en position verticale.

## Pour Commencer

6. Mettez le bouton **PULSE /TONE** (fréquences vocales/impulsions) situé sur l'arrière dans la position correspondant au mode de composition désiré. Contactez votre compagnie de téléphone en cas de doute sur le type de service.
7. Placez le combiné dans son support pour effectuer son premier chargement.

### INSTRUCTIONS POUR L'INSTALLATION AU MUR

Vous pouvez également installer l'unité de base sur une plaque murale standard.

1. Avec le dos de l'unité vers le haut, insérez les languettes de la console d'installation fournies dans les fentes inférieures de la base pour languettes, dans la direction des mots WALL MOUNT sur la console. Appuyez ensuite sur les attaches de la console pour les insérer dans les fentes pour attaches.
2. Insérez un bout du fil téléphonique court fourni dans le connecteur téléphonique situé à l'arrière de la base du téléphone.
3. Insérez la fiche de l'adaptateur courant alternatif dans le connecteur marqué DC 9V 400mA situé à l'arrière de la base du téléphone.
4. Faites passer le cordon de l'adaptateur par la rainure étroite située à l'arrière de la console d'installation pour fixer le cordon.
5. Insérez le fil plus court du téléphone modulaire dans le connecteur de la

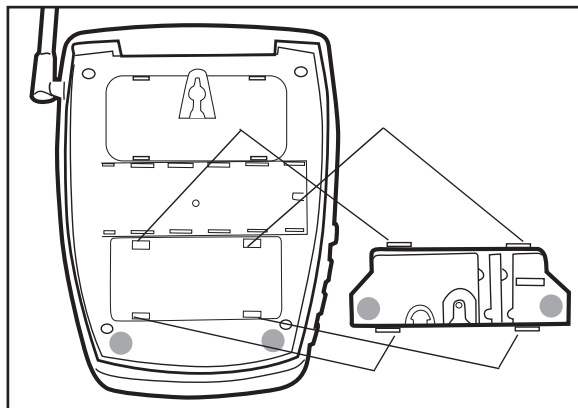


Diagramme B

- plaque murale et alignez les fentes entrouvertes de serrure de la console d'installation avec les tenons de la plaque murale et glissez la base du téléphone vers le bas pour l'attacher au mur.
6. Branchez l'adaptateur dans une prise de courant alternatif standard.
  7. Appuyez sur la languette de retenue de l'écouteur-parleur et sortez-la, retournez-la de façon à faire projeter le bout étroit de la languette en dehors et remettez-la dans sa fente. Ceci retient l'écouteur dans son support lorsque le téléphone est installé sur le mur.
  8. Soulevez l'antenne de la base en position verticale.
  9. Mettez le commutateur à l'arrière de la base sur TONE ou PULSE pour choisir le mode de composition qui convient. Renseignez-vous auprès de votre compagnie de téléphone locale si vous n'êtes pas certain du type de votre service.

# Pour Commencer

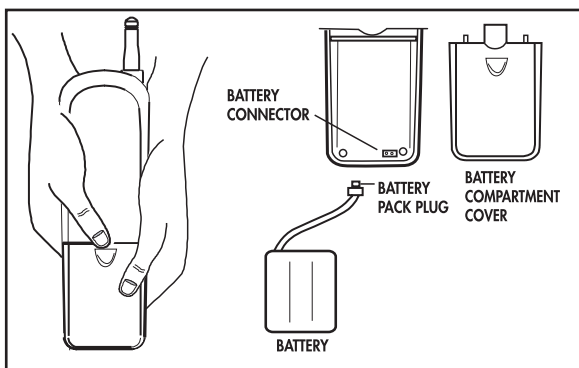
10. Placez l'écouteur dans son support pour la charge initiale. N'oubliez pas qu'il faut charger le téléphone pendant au moins 12 heures avant de l'utiliser pour la première fois.

**NOTE-:** Vous devez charger le téléphone au moins 12 heures avant de l'utiliser la première fois.

## INSTALLATION DE LA PILE

Le Clarity 420 utilise une pile rechargeable 3,6 V 600 mAh NiMH à 3 accumulateurs (type AAA), fournie avec l'appareil.

**LA PILE DU COMBINÉ DOIT ÊTRE RACCORDÉE AVANT D'EFFECTUER LE CHARGEMENT INITIAL.**



**Diagramme C :** Installation de la pile

Enlevez le couvercle du compartiment de la pile et raccordez la fiche de l'unité de pile au connecteur correspondant (Figure A).

La pile du combiné doit être entièrement chargée pendant 12 heures avant la première utilisation du téléphone.

## Instructions-:

1. Enlevez le couvercle du compartiment de la pile.
2. Installez la nouvelle pile.
3. Connectez l'unité de pile.
4. Remplacez le couvercle de la pile.
5. Chargez pendant 12 heures avant la première utilisation.

## Chargement de la pile du combiné

Placez le combiné dans la base. Le **TÉMOIN DE CHARGE** de la base devient **ROUGE**.

Une fois que la pile est entièrement chargée, vérifiez la présence d'une tonalité en appuyant sur **TALK** (communication/parler) sur le combiné.

## Indicateur de pile déchargée

Lorsque la pile du combiné est déchargée, vous entendez deux (2) bips toutes les 30 secondes et la touche **TALK** clignote. Si elle devient déchargée pendant que vous faites un appel, la communication s'interrompt après environ deux (2) minutes. Mettez fin à l'appel, puis procédez au chargement de la pile. Pour ce faire, il suffit de placer le combiné sur sa base.

1. Lorsque vous faites charger la pile, assurez-vous que les points de contact sont bien en contact et que le **TÉMOIN DE CHARGE** est allumé.
2. Prenez soin d'éviter les possibilités de court-circuit entre la pile et des objets conducteurs tels qu'une bague, un bracelet ou une clé.

# Pour Commencer

## Durée d'utilisation de la pile

Une pile totalement chargée procure environ quatre (4) heures de conversation ou peut demeurer huit (8) jours disponible sans utilisation.

Ces durées varient selon les conditions d'utilisation.

## Prise du casque

Vous pouvez utiliser le mode mains libres en ajoutant à l'appareil un casque doté d'une prise de 2,5 mm (acheté séparément). Pour l'installer, il suffit de brancher le casque dans la prise **HEADSET** qui se trouve en haut du combiné.

En mode casque, le volume est contrôlé par le téléphone; l'écouteur et le microphone du combiné sont déconnectés.

## Pour commander un casque :

Si vous voulez acheter un casque pour votre Clarity 420, communiquez avec Plantronics au 1-800-544-4660 pour connaître les coordonnées d'un distributeur près de chez vous. Nous recommandons l'utilisation du casque Plantronics M110/M130.

## Compatibilité avec les appareils de correction auditive

Le combiné contient une boucle spéciale correspondant aux appareils de correction auditive équipés d'appareils de type T-Switch/T-Coil (phonocapteurs).

## Aide-mémoire

Vous trouverez un aide-mémoire esca-motable sous votre Clarity 420. Il s'avèrera utile pour consulter rapidement le mode d'emploi des fonctions principales de votre appareil ou encore pour y inscrire les numéros fréquemment appelés et les numéros d'urgence que vous pourriez avoir entrés en mémoire.

# Configuration des fonctionnalités

## COMBINÉ

### Mode configuration

**REMARQUE :** En mode configuration, si aucune donnée n'est entrée durant 30 secondes, le Clarity 420 s'arrête par défaut sur le dernier choix effectué (p.ex. la langue) et revient au mode Standby (disponibilité). En tout temps, si vous désirez quitter le mode configuration et revenir au mode Standby, appuyez sur la touche **FLASH**. Pour accéder au mode configuration, appuyez sur la touche **CALL (CALL)** et maintenez-la enfoncée durant trois secondes.

### Configuration de la langue

#### Langue par défaut : Anglais

Appuyez sur la touche **CALL (CALL)** et maintenez-la enfoncée durant trois (3) secondes pour accéder au mode configuration. L'afficheur indique « **SET LANGUAGE** » (choisir la langue).

1. Appuyez sur la touche **CALL** pour accéder au mode de sélection de la langue. La langue actuellement sélectionnée clignote.
2. Appuyez sur les touches de défilement vers le haut (▲) ou vers le bas (▼) pour faire défiler la liste des langues offertes. Vous pouvez faire passer la langue à « **FRENCH** » (français) ou « **SPANISH** » (espagnol).
3. Appuyez sur la touche **CALL** pour choisir la langue désirée.
4. Appuyez sur les touches de défilement vers le haut (▲) ou vers le bas (▼) pour passer au menu suivant.

### Configuration de l'indicatif régional

1. Appuyez sur la touche **CALL** pour accéder au mode de sélection de l'indicatif régional. Le tout premier chiffre de la séquence clignote. Utilisez les touches numériques du clavier pour entrer l'indicatif régional désiré.
2. Appuyez sur la touche **CALL** pour confirmer votre choix.
3. Appuyez sur les touches de défilement vers le haut (▲) ou vers le bas (▼) pour passer au menu suivant.

### Configuration de l'heure et de la date

Heure et date par défaut : « 12:00 AM 01/01 » (1er janvier, minuit)

Lorsque la fonction d'identification du demandeur activée, l'horodateur est automatiquement mis à jour dès la réception du premier appel entrant.

Si l'heure s'efface en raison d'une panne d'électricité, elle clignote lorsque le courant est rétabli.

1. Appuyez sur la touche de défilement vers le haut (▲) jusqu'à ce que l'afficheur indique « **TIME/DATE** » (heure / date).
2. Appuyez sur la touche **CALL** pour modifier la date. La première ligne de l'afficheur indique l'heure et la date actuelles, p.ex. « 12:05AM 12/20 » 20 décembre, minuit cinq) et les chiffres indiquant le mois clignent.

# Configuration des fonctionnalités

- Appuyez sur les touches de défilement vers le haut (**▲**) ou vers le bas (**▼**) pour changer de mois.
- Appuyez ensuite sur la touche **CALL** pour confirmer votre choix. Une fois le mois défini, les chiffres indiquant le jour clignotent.
- Appuyez sur les touches de défilement vers le haut (**▲**) ou vers le bas (**▼**) pour modifier le jour.
- Appuyez sur la touche **CALL** une seule fois pour confirmer votre choix. Une fois le jour défini, les chiffres indiquant l'heure clignotent.
- Appuyez sur les touches de défilement vers le haut (**▲**) ou vers le bas (**▼**) pour modifier l'heure.
- Appuyez sur la touche **CALL** pour confirmer votre choix. Une fois l'heure définie, les chiffres indiquant les minutes clignotent.
- Appuyez sur les touches de défilement vers le haut (**▲**) ou vers le bas (**▼**) pour modifier les minutes.
- Appuyez sur la touche **CALL** pour confirmer votre choix. Une fois les minutes définies, l'option **AM / PM** clignote.
- Appuyez sur les touches de défilement vers le haut (**▲**) ou vers le bas (**▼**) pour indiquer s'il s'agit du matin (**AM**) ou de l'après-midi (**PM**).
- Appuyez sur la touche **CALL** pour confirmer votre choix. Une fois l'option **AM / PM** définie, l'heure et la date disparaissent.
- Appuyez sur la touche **CALL** pour afficher de nouveau l'heure et la date ou sur les touches de défilement vers le haut (**▲**) ou vers le bas (**▼**) pour passer au menu suivant.

## Activation ou désactivation de la fonction d'identification du demandeur

### Option par défaut : ON (activée)

- Appuyez sur la touche **CALL** pour accéder à la sélection de la fonction d'identification du demandeur.
- Appuyez sur les touches de défilement vers le haut (**▲**) ou vers le bas (**▼**) pour activer (**ON**) ou désactiver (**OFF**) la fonction.
- Appuyez sur la touche **CALL** pour confirmer votre choix.
- Appuyez sur les touches de défilement vers le haut (**▲**) ou vers le bas (**▼**) pour passer au menu suivant.

Si la fonction d'identification du demandeur est désactivée, l'afficheur indiquera la date et l'heure ainsi que « **CID APAGOOD** » (identification du demandeur désactivée).



# Configuration des fonctionnalités

## Réglage Du Défaut Automatique De l'Entretien

### Option par défaut : ON (activee)

Permettre au téléphone de répondre à un appel d'arrivée quand le combiné est dans l'entretien automatique de berceau doit être allumé.

1. Press à pour entrer le mode automatique de choix d'entretien.
2. Appuyez sur les touches de défilement vers le haut (▲) ou vers le bas (▼) pour activer (ON) ou désactiver (OFF) la fonction.
3. Appuyez sur la touche **CALL** pour confirmer votre choix.
4. Appuyez sur les touches de défilement vers le haut (▲) ou vers le bas (▼) pour passer au menu suivant.

## Configuration du niveau de contraste

### Niveau de contraste par défaut : 3

1. Appuyez sur la touche **CALL** pour accéder au mode de sélection du niveau de contraste. Le degré actuellement sélectionné clignotera.
2. Appuyez sur la flèche vers le haut (▲) ou vers le bas (▼) pour passer d'un niveau de contraste à l'autre.
3. Appuyez sur la touche **CALL** pour sélectionner le niveau voulu.
4. Appuyez sur les touches de défilement vers le haut (▲) ou vers le bas (▼) pour passer au menu suivant.

# Configuration des fonctionnalités

## Technologie Clarity Power

Avec la technologie Clarity Power, les hautes fréquences sont davantage amplifiées que les basses fréquences, ce qui fait que les paroles ne sont pas simplement plus fortes, mais plus claires et plus compréhensibles.

## Bouton Clarity Power ON/OFF (marche/arrêt)

Le Clarity 420 possède une touche **CLARITY POWER** qui contrôle le volume du récepteur. Si la touche **CLARITY POWER** a été appuyée, un niveau supplémentaire d'amplification est appliqué à tout le contrôle de volume. L'état par défaut de cette fonction est déterminé par le bouton Boost **ON/OFF** (à l'arrière de la base; voir ci-dessous). Pendant une communication, le bouton **CLARITY POWER** peut mettre en marche ou arrêter la fonction Clarity Power suivant les besoins de l'utilisateur.

La touche **TALK** devient **ORANGE** pour indiquer que la fonction **CLARITY POWER** est activée.

**ATTENTION-:** Quand la touche **TALK** est **ORANGE**, le volume peut être relativement fort. Pour protéger vos oreilles, ramenez le volume au minimum avant l'utilisation.

## Molette de volume

La molette contrôle le volume du combiné et du casque. La molette de volume fournit jusqu'à 15 dB de volume avant l'activation du bouton **CLARITY POWER**. Si le bouton **CLARITY POWER** a été appuyé, le Clarity 420 fournit jusqu'à 30 dB d'amplification.

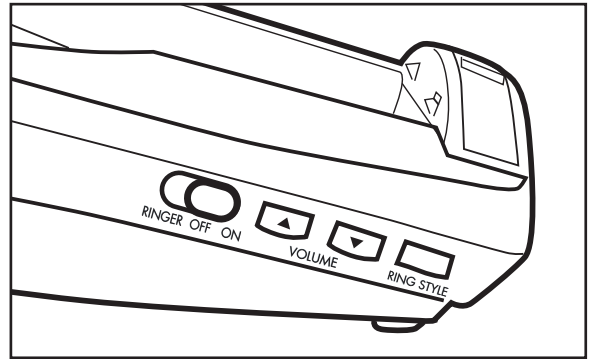


Diagramme D : Base de l'appareil

## BASE DE L'APPAREIL

### Bouton Boost ON/OFF

Ce bouton désactive la remise à zéro du bouton Clarity Power de la manière suivante:

**ON** – Lorsque le commutateur **BOOST ON/OFF** est sur **ON**, la fonction d'intensification est activée chaque fois qu'une communication commence, et prend la position prédéfinie **ON** chaque fois que le téléphone raccroche pendant. En cours de communication, le bouton **CLARITY POWER** peut basculer la fonction **CLARITY POWER** sur marche ou arrêt, selon les besoins de l'utilisateur.

**OFF** – Lorsque le commutateur **BOOST ON/OFF** est sur **OFF**, la fonction d'intensification est désactivée chaque fois qu'une communication commence, et l'utilisateur doit appuyer sur le bouton **BOOST CLARITY POWER** pour obtenir un niveau supplémentaire d'amplification. Si le

# Configuration des fonctionnalités

téléphone est raccroché pendant, la fonction Clarity Power repasse à OFF (arrêt). Au cours d'une communication le bouton **BOOST CLARITY POWER** peut basculer la fonction Clarity Power entre marche et arrêt, selon les besoins de l'utilisateur.

## Impulsions / multifréquence

Placez le bouton sur la position correspondant à votre type de service téléphonique : **tone** si vous utilisez une ligne à signalisation multifréquence (téléphone à clavier) ou **PULSE** si vous utilisez une ligne à signalisation par impulsions (téléphone à cadran). Si vous ne savez pas quel service vous utilisez, renseignez-vous auprès de votre compagnie de téléphone.

## Volume de la sonnerie

La sonnerie incorporée à la base de l'appareil offre des réglages de volume et de styles de sonnerie situés sur le côté de la base. Appuyez sur la touche **VOLUME UP** ou **DOWN** (augmenter / diminuer) pour régler le volume de la sonnerie. Chaque fois que vous appuyez sur cette touche, vous pouvez entendre la sonnerie jusqu'à ce que vous obteniez le volume désiré. Pour désactiver la sonnerie de la base, placez le bouton de sonnerie en position **OFF** (arrêt).

## Style de sonnerie

Le style et la cadence de la sonnerie peuvent également être réglés au moyen de la touche **RING STYLE**. Ils peuvent être personnalisés selon six (6) styles différents.

Lors du réglage, vous entendrez un exemple de la sonnerie durant deux secondes pour vous aider à choisir.

## Contrôles de sonnerie

Les sonneries et leurs contrôles sont situés sur le combiné et sur la base du Clarity 420.

### Sonnerie du combiné

Réglez le bouton **RINGER ON/OFF** (sonnerie marche/arrêt) situé sur le côté du combiné. La touche de sonnerie doit être en position **ON** pour que le combiné sonne quand vous recevez un appel.

### Sonnerie de la base

La sonnerie de la base comporte des réglages de volume de sonnerie et de styles de sonneries, situés sur le haut de la base.

Réglez le volume de la sonnerie en appuyant la touche **VOLUME UP/DOWN** (augmenter /diminuer le volume) jusqu'à ce que vous obteniez le volume désiré.

Le style et la cadence de la sonnerie peuvent aussi être réglés au moyen de la touche **RING STYLE** (style de sonnerie). Six (6) styles sont disponibles pour vous permettre de les personnaliser. Lors du réglage, la sonnerie retentira 2 secondes pour vous permettre de choisir.

**NOTE-** Si la sonnerie du combiné et celle de la base sont toutes les deux désactivées, la sonnerie visuelle clignotera pour indiquer les appels.

# Fonctionnalités de L'appareil

## Pour appeler

1. Appuyez sur la touche **TALK** (elle clig note en **VERT**), puis composez le numéro que vous désirez joindre.
2. Pour mettre fin à l'appel, appuyez de nouveau sur la touche **TALK** ou replacez simplement le combiné sur la base.

## Pour répondre à un appel

1. Débranchez le combiné de la base. Vous serez automatiquement mis en communication.

OU

2. Appuyez sur la touche **TALK**.

Consultez les sections **BOOST** Clarity Power (amplification supplémentaire) et Réglage du volume de la sonnerie pour obtenir des renseignements supplémentaires sur le réglage du volume (page 74).

## Tonalité temporaire

Si vous utilisez une ligne à signalisation par impulsions (téléphone à cadran), vous pouvez passer de ce mode au mode multifréquence (**TONE**) pendant un appel.

1. Composez le numéro que vous désirez joindre et attendez d'être mis en communication.
2. Appuyez sur la touche étoile (\*). Tout chiffre composé par la suite est envoyé sous forme de tonalités multifréquence.

3. L'appareil revient automatiquement au mode de signalisation par impulsions (**PULSE** - téléphone à cadran).

## Sonnerie visuelle

Des témoins de sonnerie visuelle sont situés sur l'antenne du combiné et sur la base du téléphone. Ils clignotent lors de la réception d'un appel. La sonnerie visuelle du combiné s'allume aussi lors de l'utilisation du téléphone.

## Signal Clignotant

La touche **FLASH** sert à utiliser des services d'appel personnalisés comme Message en attente ou Téléconférence. Renseignez-vous sur ces services auprès de votre compagnie de téléphone locale.

## Silence

La touche **MUTE** (silence) permet à l'utilisateur de mener une conversation privée sans que votre correspondant l'entende. En mode silencieux, le bouton **MUET** illuminera le **ROUGE** et le microphone du combiné est désactivé. En appuyant de nouveau sur la touche **MUTE**, vous désactivez la fonction **MUTE**.

## Redial/Pause (Recomposition/Pause)

La touche **RD/P** permet d'utiliser la fonction de recomposition du dernier numéro et la fonction de pause.

# Fonctionnalités de L'appareil

## Recomposition du dernier numéro:-

Le dernier numéro composé (jusqu'à 32 chiffres) est stocké dans la mémoire de recomposition (jusqu'à ce qu'un autre numéro soit composé).

### Pour utiliser cette fonction:-

1. Pressez la touche **TALK**.
2. À la tonalité, pressez la touche **RD/P**.
3. Le téléphone va composer le numéro automatiquement.

### Pause:-

Si vous programmez une pause, le téléphone attendra quatre (4) secondes avant de composer les chiffres supplémentaires. Cette fonction peut être utilisée lorsqu'il faut composer un code d'accès (par exemple le 9) et attendre une seconde tonalité avant de continuer la composition (d'un numéro externe). Pressez la touche **RD/P** au moment voulu lors de la mise en mémoire.

## Clavier lumineux

Le clavier s'allume environ quinze (15) secondes lorsque le combiné est enlevé de la base. Pour réactiver cette fonction en mode attente, pressez la touche **TALK** ou **MEM**. Pour l'activer pendant l'utilisation du téléphone, appuyez n'importe quelle touche.

## Afficheur à cristaux liquides

L'afficheur à cristaux liquides situé à l'arrière du combiné indique le numéro que vous avez composé et, si vous utilisez le service d'identification du demandeur, vous pourrez également obtenir des renseignements sur les appels entrants avant d'y répondre. L'afficheur sert aussi à indiquer la période écoulée durant un appel ou pendant que le combiné est décroché.

## Témoins de la base

**POWER ON** – Le courant bas passe.

**IN USE/ CHARGING ON** – Quand le combiné est dans la base chargeant la **LED** polira le **ROUGE**. Quand le combiné est à un appel la LED polira le vert.

## Aide pour retrouver le combiné

Pour envoyer depuis la base un signal de type téléavertisseur (page) au combiné, pressez la touche **PAGE** de la base. Le combiné sonnera plusieurs fois.

Pour retrouver le combiné s'il est éloigné de la base, appuyez la touche **PAGE** et maintenez-la enfoncée environ cinq (5) secondes. Une série de sonneries retentira. Pour arrêter la sonnerie, ramenez le combiné à la base ou pressez la touche **TALK**.

# Fonctionnalités de L'appareil

## Recherche sur 40 canaux

Le téléphone sans fil Clarity 420 cherche automatiquement parmi 40 canaux de fréquences celui qui donne le signal le plus clair. Si des bruits parasites surviennent sur la ligne, appuyez sur la touche CH pour passer à un autre canal.

## Code de sécurité

Le code de sécurité empêche que vos conversations de téléphone sans fil soient entendues sur un téléphone connecté à une autre ligne. Une fois que la pile du combiné est entièrement chargée, le combiné va automatiquement sélectionner un code dans 65,000 combinaisons. Le code est changé chaque fois que le combiné est replacé dans la base.

Si vous avez des problèmes pour faire des appels ou en recevoir, il peut s'agir de la perte d'un code de sécurité: dans ce cas, le combiné ne peut plus communiquer avec la base. Mettez le combiné dans la base pendant 5 à 10 secondes pour obtenir un nouveau code. Si cela ne résout pas le problème, débranchez l'adaptateur électrique de la prise murale; déconnectez la pile du combiné pendant 5 à 10 secondes, et reconnectez-la; replacez le combiné sur la base et rebranchez l'adaptateur.

# Mise en mémoire

## Emplacement de la mémoire

Le Clarity 420 possède 10 touches mémoire indirectes (accessibles en pressant deux touches), numérotés de 0 à 9, qui peuvent être programmées pour composer les numéros fréquemment utilisés (jusqu'à 16 chiffres).

De plus, un (1) touches de stockage de numéros d'urgence sont situées sur le combiné. Elles peuvent être programmées avec des numéros comportant jusqu'à 16 chiffres.

### Pour mettre des numéros en mémoire:-

1. Appuyez sur et tenez le bouton de **MEM**.
2. Composez le numéro que vous voulez mettre en mémoire.
3. Pressez de nouveau la touche **MEM**.
4. Pressez la touche urgence ou pressez sur le clavier le chiffre que vous voulez associer au numéro.
5. Un son prolongé indique que l'opération est achevée.

### Pour composer un numéro en utilisant les numéros d'urgence:-

1. Pressez la touche **TALK**.
2. Pressez la touche d'urgence désirée.
3. Le numéro sera automatiquement composé.
4. Réglez le volume et la fonction Clarity Power selon vos besoins.

### Pour modifier un numéro en mémoire :

1. Vous pouvez remplacer un numéro en mémoire en programmant un nouveau numéro à sa place.
2. Entrez l'endroit (0-9) ou serrez l'anneau des trois (3) boutons d'urgence et passez en revue le nombre.
3. Serrez **DEL** bouton à l'effacement toute la mémoire. **ERASE MEMO** (EFFACEZ LA NOTE ) et le nombre d'endroit sera displayé.
4. Serrez **DEL** encore pour confirmer
5. Pressez de nouveau la touche **MEM**.

Pressez la touche mémoire qui correspond au numéro à effacer.

Un son prolongé indique que l'opération est terminée.

**NOTA-:** Pendant la mise en mémoire, la touche **TALK** clignote en **VERT**.

En cas de panne de secteur, la mémoire est conservée au moins six (6) heures.

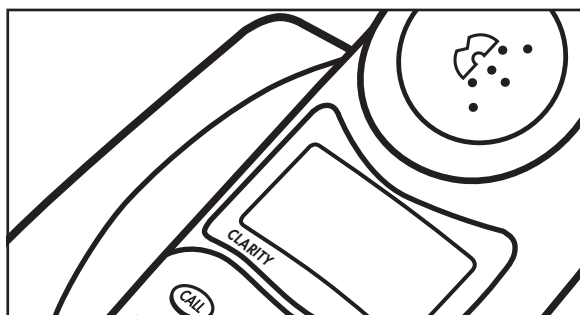
### Pour composer un numéro en utilisant la mémoire:-

1. Pressez la touche **TALK**.
2. Pressez la touche **MEM**.
3. Pressez la touche avec laquelle a été enregistré le numéro désiré.
4. Le numéro sera automatiquement composé.
5. Réglez le volume et la fonction Clarity Power selon vos besoins.

# Identification du demandeur

**IMPORTANT** : Pour bénéficier de cette fonction, vous devez vous abonner au service d'identification du demandeur auprès de votre compagnie de téléphone.

Ce téléphone affiche automatiquement le nom et le numéro de téléphone du demandeur, ainsi que la date et l'heure de son appel. L'appareil peut enregistrer et conserver en mémoire les données des demandeurs jusqu'à concurrence de 50 appels.



**Diagramme E** : Afficheur à cristaux liquides

## Fonctions :

**CALL** : permet de composer le numéro affiché, ainsi que de choisir et d'enregistrer des données en mode configuration.

**TOUCHES DE DÉFILEMENT** : (▲) (▼) permettent de faire défiler vers le haut ou vers le bas la liste des demandeurs, ainsi que de choisir et d'enregistrer des données en mode configuration.

**DELETE** : permet d'effacer les données affichées.

Le témoin de l'antenne du combiné s'allume en **ROUGE** lors de la réception d'un nouvel appel entrant.

## Ralenti

En mode à vide la volonté d'affichage à cristaux liquides display l'information suivante :

1. Date/heure
2. Statut De Batterie
3. Nombre d'appels reçus  
Exemple: ALL=20
4. Nombre de nouveaux appels  
Exemple: 10 NEW
5. Répétez l'icône (les appels de RPT) indicates CID qui sont répétés.

## Pour consulter la liste des demandeurs

Lors de la réception d'un appel entrant, l'afficheur indique le nom et le numéro de téléphone du demandeur ainsi que la date et l'heure de l'appel, si ces données sont connues.

## Numéro bloqué Numéro inconnu

Si le nom, le numéro de téléphone du demandeur ou les deux sont inconnus, l'afficheur indique **NUMBER BLOCK/NO NUMBER** (numéro inconnu).

Si le numéro de téléphone du demandeur comporte plus de 12 chiffres, l'afficheur indique tour à tour la première, puis la deuxième moitié du numéro automatiquement.



# Identification du demandeur

L'icône REPEAT CALL s'illumine si le Clarity 420 a reçu plusieurs appels d'un même numéro.

Un message vous avise lorsque vous parvenez à la fin de la liste des demandeurs.

## Pour effectuer un appel à partir de la liste des demandeurs

1. Utilisez les touches de défilement vers le haut ou vers le bas pour faire défiler la liste des demandeurs.
2. Choisissez le numéro voulu en appuyant sur la touche **CALL**; le numéro clignote. Utilisez les touches de défilement vers le haut ou vers le bas pour afficher les options de composition offertes (7, 10 ou 11 chiffres).
3. Appuyez sur la touche **CALL** pour sélectionner le format d'appel voulu (voir ci-dessous). Le numéro cessera de clignoter.
4. Appuyez sur la touche **CALL** pour composer le numéro.

## Dialing Options

Lorsque vous effectuez un appel à partir de la liste des demandeurs, vous avez le choix entre les trois (3) options de composition suivantes :

1. numéro à 7 chiffres;  
Exemple : (123-4567)
2. numéro à 7 chiffres précédé du code régional;  
Exemple : (890-123-4567)

3. numéro commençant par le 1, suivi du code régional et se terminant par 7 chiffres.  
Exemple : 1-890-4567

## Pour effacer des données de la liste des demandeurs

1. Pendant que vous consultez la liste des demandeurs, appuyez sur **DEL (DELETE)** pour effacer les données sur le demandeur qui sont affichées. La question « **ERASE?** » (effacer?) apparaît sur l'afficheur.
2. Appuyez sur la touche **DEL (DELETE)** pour confirmer la suppression. L'afficheur indique brièvement « **CID ERASED** » (données du demandeur effacées). L'afficheur montre ensuite les données du demandeur suivant ou indique « - **NO CALLS** - » si vous êtes parvenu à la fin de la liste. Il est impossible de supprimer un numéro de téléphone lorsque les données clignent.

## Pour effacer toute la liste des demandeurs

1. Pendant que vous consultez la liste des demandeurs, appuyez sur la touche **DEL (DELETE)** et maintenez-la enfoncée durant deux secondes. La question « **ERASE ALL?** » (effacer tout?) apparaît sur l'afficheur.

# Identification du demandeur

2. Appuyez sur la touche Call pour confirmer la suppression. L'afficheur indique brièvement « **ALL CID** » et « **ERASED** » (les données de tous les demandeurs sont effacées), puis la mention « - **NO CALLS** - ».

Vous pouvez appuyer une fois sur la touche **FLASH** en tout temps pour revenir au mode Standby (disponibilité). Cependant, l'appareil revient automatiquement au mode Standby si vous n'avez appuyé sur aucune touche pendant 30 secondes.

## Appel en attente

Si vous recevez un autre appel pendant que vous êtes déjà en communication,

vous entendez un bip dans l'écouteur. L'afficheur à cristaux liquides indique l'identité du demandeur. Pour répondre à l'appel en attente, appuyez sur la touche **FLASH**. L'appel initial sera mis en attente et vous serez mis en communication avec l'appel entrant. Pour revenir à votre appel initial, appuyez de nouveau sur la touche **FLASH**.

Si vous ne répondez pas à l'appel entrant, les renseignements sur le demandeur seront transférés dans la liste des demandeurs, où vous pourrez ensuite les consulter.

# Entretien et soins

Le Clarity 420 a été conçu pour vous procurer des années de service fiable avec un minimum d'entretien.

Pour bénéficier d'un fonctionnement optimal, suivez ces conseils d'entretien de l'appareil:

1. Évitez de laisser tomber l'appareil ou de le soumettre à des chocs.

2. Dépoussiérez l'appareil régulièrement. Essuyez l'appareil avec un chiffon doux et humide. N'utilisez pas de détergents et évitez l'humidité excessive.
3. Le Clarity 420 est un appareil électrique. Évitez les risques de choc électrique en maintenant le téléphone à l'écart de l'eau (salle de bain, évier, etc.)

# Diagnostic

## L'appareil ne fonctionne pas/il n'y a pas de tonalité:-

- Vérifiez que la touche **TALK** est allumée.
- Vérifiez que l'adaptateur électrique est bien connecté à la base et au téléphone.
- Vérifiez que le câble de la ligne téléphonique est bien raccordé au connecteur mural et au téléphone.
- Assurez-vous que l'antenne de la base est en position verticale.
- Assurez-vous que la pile du combiné est entièrement chargée.
- Vérifiez que le téléphone est dans le mode de composition correct: fréquence vocale (avec un clavier) ou impulsions (avec un cadran).
- Assurez-vous d'être dans le rayon d'action de la base.
- Attribuez un nouveau code de sécurité en mettant le combiné sur la base 5 à 10 secondes.

## Le téléphone ne sonne pas lorsque vous recevez un appel:-

- Vérifiez que les touches **RINGER** du combiné et de la base sont en position allumée (**ON**).

- Vérifiez que l'adaptateur électrique est bien raccordé à la base et au téléphone.
- Vérifiez que le câble de la ligne téléphonique est bien raccordé au connecteur mural et au téléphone.
- Assurez-vous d'être dans le rayon d'action de la base.
- Vous avez peut-être trop de postes sur votre ligne. Débranchez-en quelques-uns.

## Bruit, statique, interférences ou autres conversations sur la ligne lors de l'utilisation du combiné:-

- Changez de canal de fréquence.
- Assurez-vous que l'antenne de la base est en position verticale.
- Assurez-vous d'être dans le rayon d'action de la base.
- Assurez-vous que la pile du combiné est entièrement chargée.
- Mettez la base à un autre endroit.
- Assurez-vous que l'adaptateur électrique n'est pas raccordé à la même prise murale que d'autres appareils.

# Diagnostic

## Le téléphone ne se charge pas-:

- Assurez-vous que les contacts de chargement du combiné et de la base sont exempts de poussière et de saletés. Nettoyez les contacts avec un chiffon doux.
- Assurez-vous que le **TÉMOIN DE CHARGE** de la base est allumé quand le combiné est dans son logement sur la base.
- Si nécessaire, remplacez la pile du combiné (voir Chargement de la pile du combiné).

## Problèmes pour émettre ou recevoir des appels-:

- Rapprochez-vous de la base et réessayez.
- Si vous rapprocher ne résout pas le problème, vous avez peut-être perdu le code de sécurité. Atribuez un nouveau code en remettant le combiné sur la base 5 à 10 secondes (voir le paragraphe Code de sécurité).
- Assurez-vous d'avoir sélectionné le bon mode de composition (fréquences vocales ou impulsions).
- Assurez-vous que l'adaptateur électrique n'est pas raccordé dans la même prise murale que d'autres appareils. Déconnectez 5 à 10 secondes, puis reconnectez. Replacez le combiné sur la base et raccordez l'adaptateur.
- Assurez-vous que la pile du combiné est entièrement chargée.

# Conformité Réglementaire

## Partie 68 des réglementaires FCC (conseil fédéral de l'audiovisuel aux États-Unis)

a) Cet équipement est conforme à la partie 68 des réglementaires FCC et les exigences adoptés par le ACTA. Il y a une étiquette sous l'appareil qui contient, entre autres, un identificateur de produit en format US: AAAEQ##TXXXX. Selon la demande, ce numéro doit être fourni à la compagnie de téléphone.

b) La prise et la fiche qui branche cet appareil aux installations électrique et à la compagnie de téléphone doit être conforme la partie 68 des réglementaires FCC et les exigences adoptés par le ACTA. Un fil téléphonique et une fiche modulaire, RJ11C USOC, sont fournis avec se produit. Ils sont conçus pour être branché a une fiche modulaire compatible. Voir les instructions d'installation pour de plus amples détails.

c) Le facteur d'équivalence de sonnerie (numéro "REN"), attribué à chaque dispositif, indique le nombre maximum de dispositifs pouvant être raccordés à un interface téléphonique. Trop de RENs sur une ligne téléphonique peut faire en sorte que les appareils ne sonne pas lors d'un appel téléphonique reçu. Dans la plupart des régions, le nombre total du facteur "REN" ne doit pas dépasser cinq (5.0). Pour vous assurez du nombres d'appareil qui peuvent être branchés, tel que déterminé par le total des RENs, veuillez contacter votre compagnie de téléphone.. Pour tous produits approuvés après le 23 juillet 2001, le REN pour ce produit est

identifié sur l'étiquette du produit en format US:AAAEQ##TXXXX. Les chiffres représentés par ## sont les RENs sans point (i.e., 03 suggère un REN de 0.3). Pour tout autre produits, le REN est indiqué séparément sur l'étiquette.

d) Dans le cas où cet appareillage téléphonique causes des dommages au réseau téléphonique, la compagnie de téléphone vous avisera qu'un arrêt temporaire de votre service pourrait être requis. La compagnie de téléphone avertira le client immédiatement. De plus, vous serez avisés de vos droits concernant une plainte a être soumise à l' FCC si vous le trouvé nécessaire.

e) La compagnie de téléphone pourrait effectuer des changements à ces installations, son équipement, opérations ou procédures qui pourraient affectés l'opération de l'équipement. Si ceci se produit, la compagnie de téléphone fournira un préavis afin de vous permettre d'effectuer les modifications nécessaires pour maintenir un service continu.

f) Si vous faites l'expérience de problèmes avec cet appareillage téléphonique, pour toute informations concernant les réparations ou les garanties, veuillez contacter Clarity au 1-800-552-3368. Si cet appareillage cause des dommages au réseau téléphonique, la compagnie de téléphone pourrait vous demander de débrancher votre équipement jusqu'à temps que le problème soit résolu.

# Conformité Réglementaire

g) Cet appareillage téléphonique ne doit pas être réparé et ne contient aucune pièces réutilisable. Toute tentative d'ouvrir l'équipement ou d'effectuer des réparations annulera la garantie. Pour le service ou les réparations, composez le 1-800-552-3368.

h) Le branchement au service de ligne commune est sujette au tarifs de l'état. Contactez la commission de l'entreprise de services publics, la commission du service public ou la commission corporative pour plus d'information.

i) Si votre maison est équipé d'un système d'alarme relié à votre ligne téléphonique, assurez vous que l'appareillage téléphonique ne débranche pas votre système d'alarme. Si vous avez des questions concernant ce qui pourrait mettre hors de service votre équipement de sécurité, consultez la compagnie de téléphone ou un installateur compétent.

j) Cet équipement téléphonique est compatible avec les prothèses auditives.

## Téléphones à monnaie/carte de crédit

Pour respecter les tarifs, la compagnie téléphonique doit être averti avant le branchement. Dans certains États, la commission de l'entreprise de services publics, la commission du service public ou la commission corporative avant le branchement.

## Partie 15 des réglementaires FCC

Cet équipement est conforme à la partie 15 des réglementaires FCC. Son fonctionnement est soumis aux deux conditions suivantes : (1) Ce dispositif téléphonique ne doit pas causer

d'inteférences et (2), il doit pouvoir accepter les interférences, incluant celles pouvant nuire à son fonctionnement normal.

“La confidentialité de vos conversations n'est pas garantie avec cet appareil”.

Votre appareillage a été vérifié et conforme aux limitations d'un appareil digital Classe B, conformément à la partie 15 des réglementaires FCC. Ces limitations sont conçues pour fournir une protection raisonnable contre une interférence dangereuses en installations résidentielle.

Cet équipement génère, utilise and peut émettre une fréquence radio et, si non installé et utilisé en conformité avec les instructions, peut produire une interférence avec les communications radio. Toutefois, il n'y a aucune garantie que l'interférence ne se produira pas dans un locale particulier; si cet équipement cause une interférence dangereuses à la radio ou à la réception télévision, qui pourrait être déterminé en débranchant l'équipement, vous êtes encouragés a tenter to rectifier l'interférence en vous servant des mesures suivantes :

1. Quand sa peut être fait en toute sécurité, réorienté l'antenne récepteur de la télévision ou de la radio.
2. Si possible, éloignez le téléphone sans fil du téléviseur, la radio ou autre source de réception
3. Branchez l'équipement téléphonique dans une prise ou un circuit autre que celle de la télévision, de la radio, ou d'autre récepteur.

# Conformité Réglementaire

4. Consultez le détaillant ou un technicien en Radio/TV pour de l'assistance.

**MISE EN GARDE:** Tout changement ou modification apporté à cet appareil qui ne serait pas expressément autorisé par le fabricant peut vous retirer l'autorisation de faire fonctionner l'appareil.

## Avis d'Industrie Canada

Ce produit réponds aux critères des spécifications techniques d'Industry Canada.

Avant d'installer cet équipement, les utilisateurs doivent s'assurer qu'il est permis d'être branché aux installations de la compagnie de téléphone. Cet équipement doit être installé en se servant d'une méthode de branchement conforme. Dans certains cas, le filage interne de la compagnie de téléphone associé à une ligne de service individuelle allongé à l'aide d'un ensemble de raccord certifié (prolongateur de ligne téléphonique). Le consommateur doit être avisé que la conformité avec les conditions ci-haut mentionnées peut ne pas prévenir la dégradation de service dans certaines situations. Toutes réparations d'équipement certifié doit être effectué par un service d'entretien Canadien autorisé par le fournisseur.

Toutes réparations ou modifications effectuées à l'équipement par l'utilisateur, ou panne de l'équipement, peut donner cause à la compagnie de télécommunications de demander à l'utilisateur de débrancher l'équipement.

Les utilisateurs doivent s'assurer que les conducteurs de terre, lignes téléphoniques ainsi que le système de conduit d'eau interne

métallique, si présent, sont liés ensemble. Cette précaution est particulièrement importante dans les régions rurales.

**MISE EN GARDE:** Les utilisateurs ne devraient pas tenter tel connexions eux-mêmes, mais plutôt devraient contacter un electricien ou l'inspecteur electricien approprié.

Le facteur d'équivalence de sonnerie (numéro "REN"), attribué à chaque dispositif, indique le nombre maximum de dispositifs pouvant être raccordés à un interface téléphonique. On peut raccorder plusieurs dispositifs téléphoniques à l'interface, pourvu que le nombre total du facteur "REN" ne dépasse pas cinq.

(Le terme "IC:" devant le numéro de certification signifie uniquement que les spécifications de Industrie Canada ont été rencontrées.)

## Garantie et Service

Le responsable pour conformité réglementaire:

Clarity, Une Division de Plantronics, Inc.  
4289 Bonny Oaks Drive,  
Bureau 106  
Chattanooga, TN 37406  
Tél. : 1-800-552-3368

L'information concernant la garantie et le service est seulement applicable aux produits achetés et utilisés aux E.U. et au Canada. Pour toute information concernant la garantie et le service dans d'autre pays, veuillez contacter votre détaillant locale ou le distributeur.

# L'étendue de la Garantie

Clarity, une division de Plantronics, Inc. ("Clarity") déclare au consommateur que cet appareil sera exempt de tout défaut de matériels ou de main-d'oeuvre, uniquement selon les limitations ou exclusions énumérées cidessous, pendant une année de la date d'achat ("Période de Garantie"). L'obligation de Clarity sous cette garantie sera à l'option de Clarity, sans frais, de toute composante ou d'appareil qui prouve être un défaut de matériel ou de fabrication pendant la Période de Garantie.

## Exclusions de garantie

Cette garantie promet un appareil exempt de tout défaut de matériel ou de main-d'oeuvre. Toutes conditions dûes à un accident, abus, emploi abusif ou mauvaise opération, contravention des instructions fournies par Clarity, destruction ou modifications, voltages ou courant inadéquat, s'il y a eu réparation ou entretien effectué par une personne ou organisation autre que Clarity ou un centre de service autorisé par Clarity, n'est pas couvert sous cette garantie. Les compagnie de téléphone fabriquent de différent types d'équipement et Clarity ne garantie pas que cet équipement soit compatible avec l'équipement d'une compagnie de téléphone en particulier.

## Garantie Tacite

Conformément à la Loi, vous pourriez être éligible à certains bénéfices de garantie tacite. Ces garanties tacite seront en force pendant la durée de la garantie du produit. Certains Etats permettent des limites sur la durée d'une garantie tacite, donc, la garantie ci-haut mentionnée ne pourrait vous être applicable.

## Dommmages accessoires ou immatériels

Ni Clarity ni votre détaillant ou distributeur ne sont responsable pour les dommages accessoires ou immatériels incluant sans limitation, pertes ou gains commerciaux, ou pour n'importe quel dépenses accessoires, dépenses, perte de temps, ou inconvéniement. Certains Etats ne permettent pas l'exclusion ou la limitation de dommages accessoires ou immatériels, donc, l'exclusion ou la limitation ci-haut mentionnée ne pourrait vous être applicable.

## Autres droits reconnus

Cette garantie vous donne des droits reconnu par la loi ainsi que certains autres droits qui varient de province en province.



# L'étendue de la Garantie

## Information concernant les Garanties

Pour obtenir de l'information concernant le service de Garantie, veuillez expédier l'unité port-prépayé à l'une des installations compétentes ci-bas mentionnés.

### Aux États-Unis

Centre de Service Clarity  
4289 Bonny Oaks Drive,  
Bureau 106  
Chattanooga, Tennessee 37406

Tél: (423) 622-7793  
ou (800) 426-3738  
Fax: (423) 622-7646  
ou (800) 325-8871

### Au Canada

Plantronics Service Center  
8112 Trans Canada Highway  
Ville St-Laurent, Quebec H4S 1M5  
Canada

Tél: (800) 540-8363  
(514) 956-8363  
Fax: (514) 956-1825

Veillez vous servir de l'emballage original, ou emballez bien le (les) unité(s) dans un carton rigide avec suffisamment d'emballage pour prévenir les dommages.

### Veillez inclure les informations suivantes:

1. Une preuve d'achat incluant le numéro de modèle et la date d'achat.
2. Adresse de la facturation.
3. Adresse de l'expédition.
4. Nombre et description des unités expédiées.
5. Nom et numéro de téléphone de la personne à contacter si nécessaire.
6. La raison du retour ainsi qu'une description du problème.

Les dommages produits lors de l'expédition sont jugés être la responsabilité du transporteur, et toutes demandes doivent être faites directement à celui-ci.







Clarity, a Division of Plantronics, Inc.  
4289 Bonny Oaks Drive, Suite 106  
Chattanooga, TN 37406  
1-800-552-3368  
[www.clarityproducts.com](http://www.clarityproducts.com)

Made in China

©2005 Clarity, a Division of Plantronics, Inc. All rights reserved.  
Ameriphone, Amplifying Your Life, Clarity, Clarity Power, Clarity  
Power Control are trademarks or registered trademarks of  
Plantronics, Inc.

Rev. H (10-05)